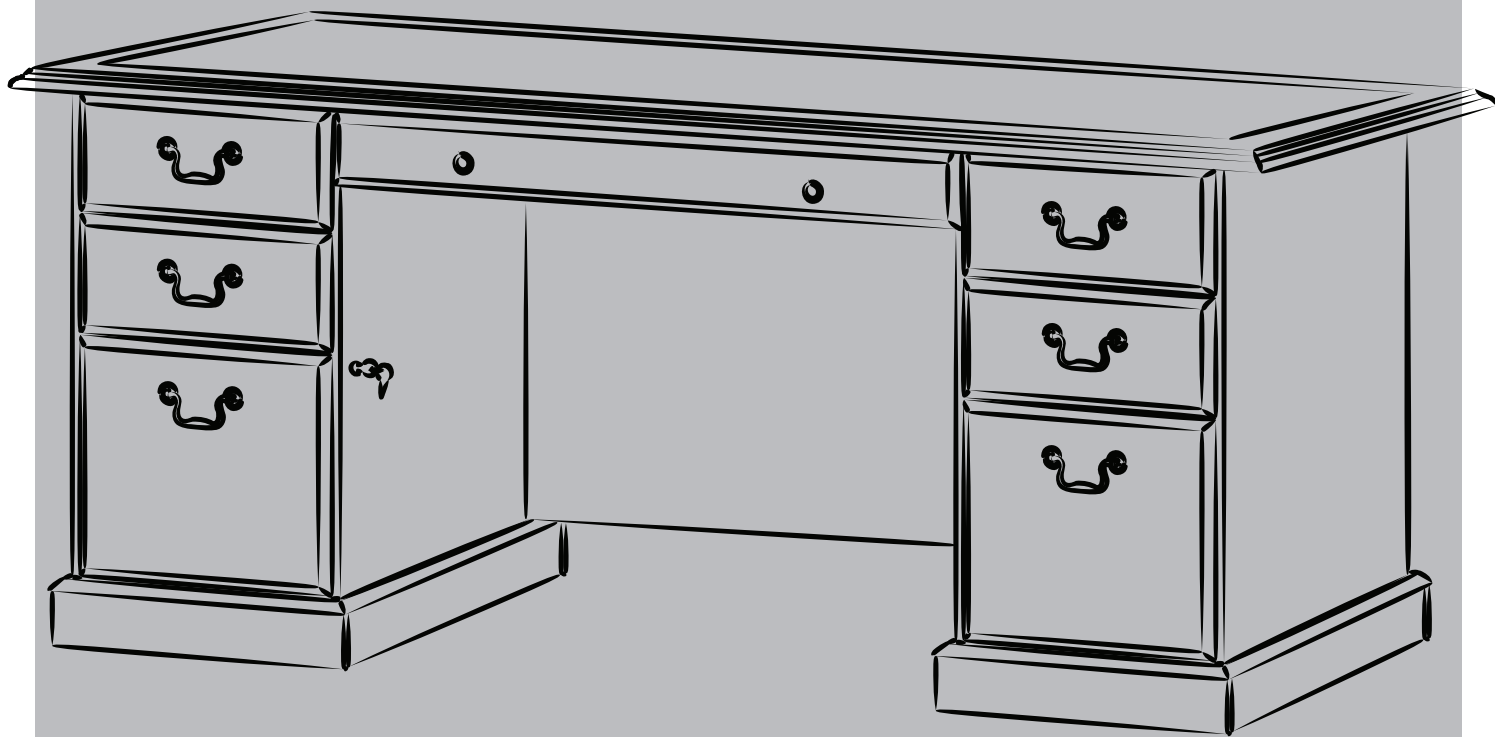


ASSEMBLY INSTRUCTION



Double-Pedestal Desk

Assembly instructions and
warranty information

Bureau Double

Instructions pour l'assemblage
et information sur la garantie

Escritorio Doble

Instrucciones para el ensamblaje
e información sobre la garantía

Maximum weight capacity: 200lbs (91 kg) equally distributed per desk top, 14lbs (6.4 kg) equally distributed per upper box drawer, 37 lbs (16.8 kg) equally distributed per tower file drawer . Please record it in space below for future reference. Record date of purchase below and save this booklet for future reference. .

Poids maximal admissible : 91 kg (200 lb) répartis uniformément sur le panneau supérieur du bureau; 6,4 kg (14 lb) répartis uniformément dans chaque tiroir supérieur simple; 16,8 kg (37 lb) répartis uniformément dans chaque tiroir classeur. Le numéro de lot figure sur un panneau latéral. Veuillez l'inscrire dans l'espace ci-dessous à des fins de consultation future. Notez la date d'achat ci-dessous et enregistrez ce guide pour une utilisation ultérieure.

Peso máximo soportado: 91 kg (200 libras) distribuidos de forma equitativa por tablero del escritorio, 6,4 kg (14 libras) distribuidos equitativamente en cajón superior; 16,8 kg (37 libras), distribuidos equitativamente por archivador de cajones. Anótelos en el espacio siguiente para poder consultarlo en el futuro. Anote la fecha de compra en el espacio a continuación y guarde este documento para poder consultarlo.

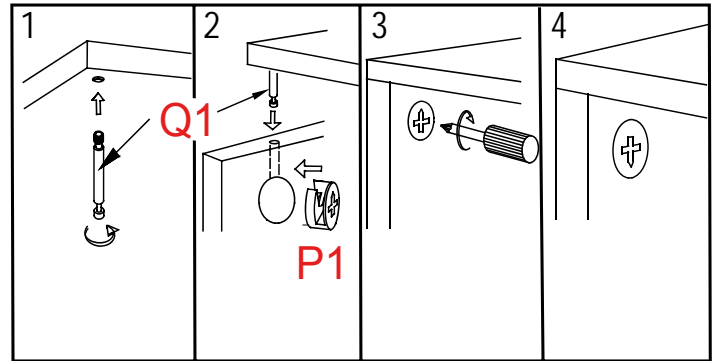
Item YH1003 ;YH1103

Installation of Cams and Pins:

Screw the Pin into hole. To set Cams correctly, ensure the arrow on the cam head points to the hole of the Pin it is locking. Lock Cam by turning cam head one third clockwise with screwdriver. Do not overtighten. Please don't use an Electric Screwdriver to assemble the unit.

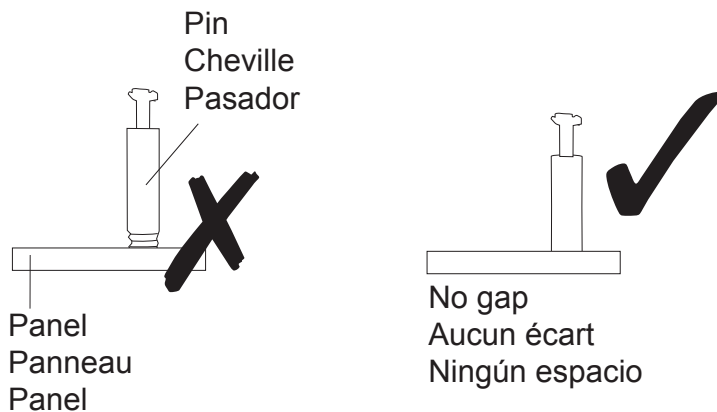
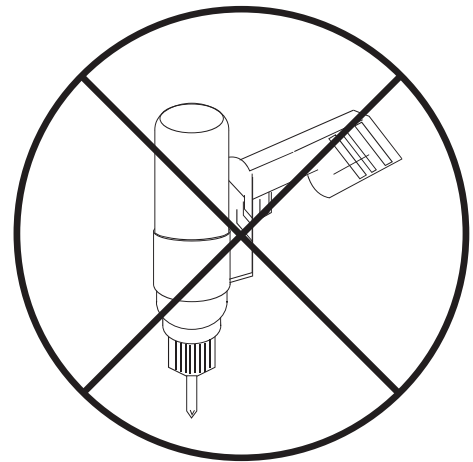
Installation des roulettes à blocage et des chevilles:

Vissez la cheville à l'intérieur du trou. assurez-vous que la flèche sur le dessus de la roulette pointe vers le trou de la cheville à bloquer. Verrouillez la roulette à blocage en tournant le dessus de la roulette d'un tiers de tour en sens horaire à l'aide d'un tournevis. Ne serrez pas trop. Veuillez ne pas utiliser un tournevis électrique pour assembler ce meuble.



Instalación de levas y pernos:




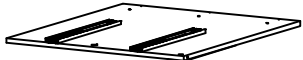








Atornille el pasador en el agujero, asegúrese de que la flecha en la cabeza de la leva apunta hacia el agujero del pasador que esta asegurando. Asegure la leva girando la cabeza un tercio en el sentido de las agujas del reloj. No la apriete en exceso. No utilice un destornillador eléctrico para ensamblar la unidad.












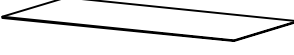
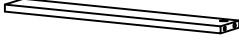



PARTS LIST

LISTE DES PIÈCES

LISTA DE PIEZAS




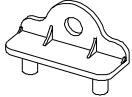
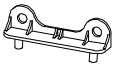
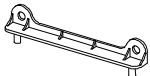
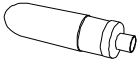
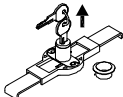
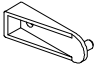





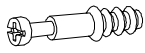




Name/Nom/Nombre	Part/Pièce/Pieza	Qty. Qté Cantidad
A Desk Top		1
B Modesty Panel		1
C Left Side of Left Storage		1
D Right Side of Left Storage		1
E Base		2
F Right Side of Right Storage		1
G Left Side of Right Storage		1
H Right Upper Drawer Left Side		1
I Right Drawer Right Side		1
J Base Panel of Left Upper Drawer Front		1
K File Drawer Back		3
L File Drawer Front		2

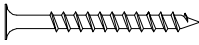
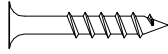
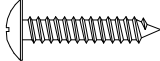
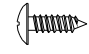
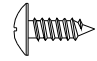
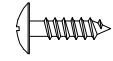

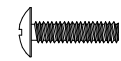
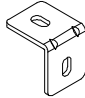
Name/Nom/Nombre	Part/Pièce/Pieza	Qty. Qté Cantidad
M File Drawer Left Side		2
N File Drawer Right Side		2
O Small Drawer Front		4
P Small Drawer Left Side		2
Q Small Drawer Right Side		2
R Small Drawer Back		2
S Drawer Bottom		5
T Right Middle Drawer Front		1
U Right Middle Drawer Left Side		1
V Right Middle Drawer Right Side		1
W Right Middle Drawer Back		1
X Right Middle Drawer Bottom		1
Y Drawer Bottom Reinforcement Bar		1
Z Back Panel of Storage		2

PARTS LIST


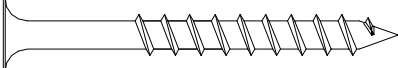

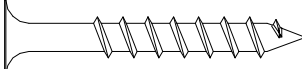

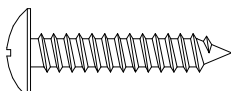



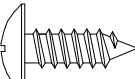

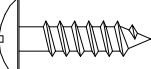



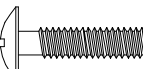
LISTE DES PIÈCES

LISTA DE PIEZAS

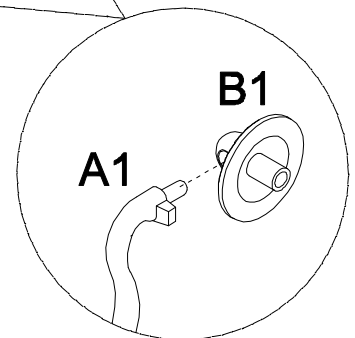
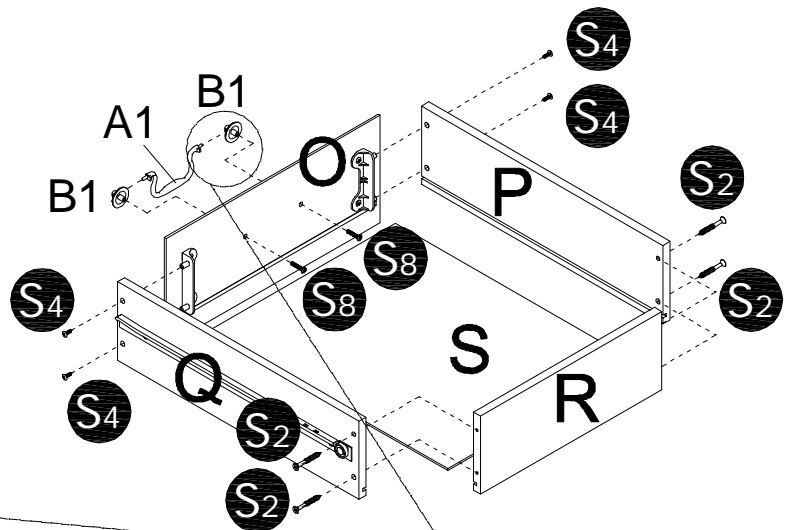
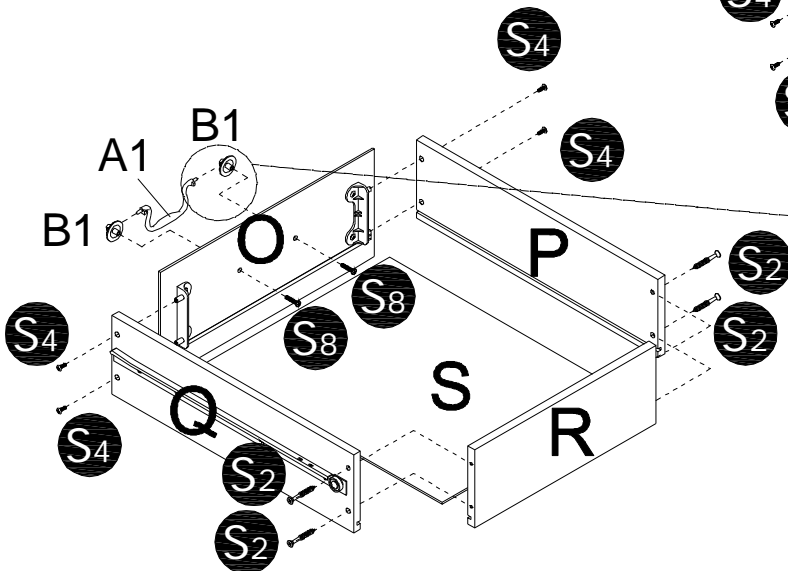
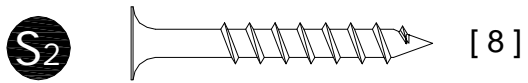
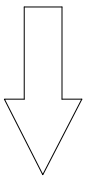
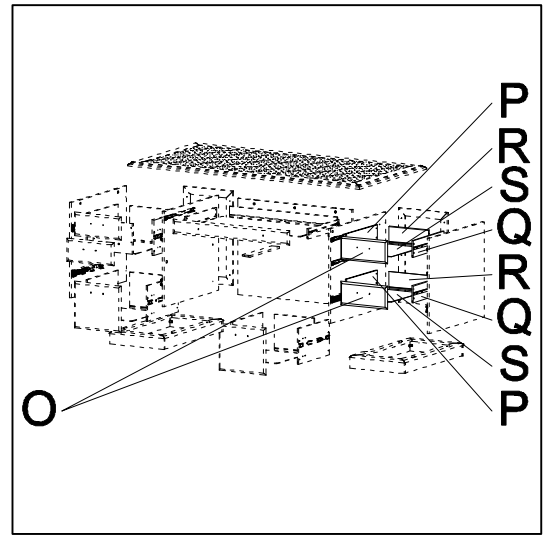
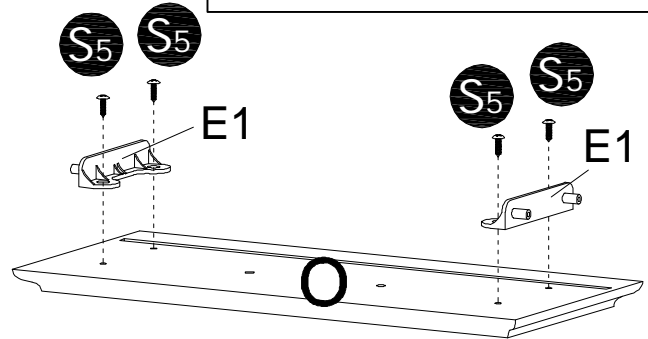
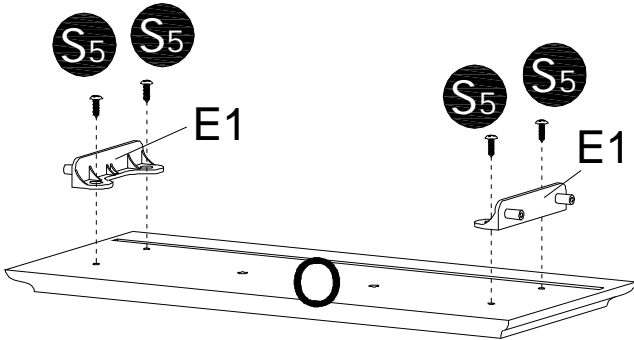
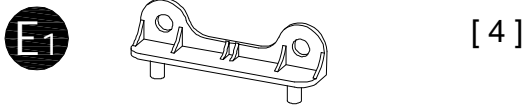
Name/Nom/Nombre	Part/Pièce/Pieza	Qty. Qté Cantidad	Spare Épargner Sobrante
A1 Handle Poignée Manija		6	
B1 Handle Base Base de poignée Base de manija		12	
C1 Knob Bouton Tornillo de apriete		2	
D1 Panel Connector Connecteur de panneau Conector de archivo		2	
E1 Panel Connector Connecteur de panneau Conector de archivo		4	
F1 Panel Connector Connecteur de panneau Conector de paneles		4	
G1 Glue Colle Pegamento		1	
H1 Lock Verrou Bloqueo		1	
I1 Plastic Stopper		2	
J1 Foot Extrémité de patte Terminación de pata		8	
K1 File Hanger Support de dossiers Colgador de carpetas		3	
L1 File Rail Rail pour chemises Baranda de archivo		6	
M1 File Rail Rail pour chemises Baranda de archivo		3	
N1 File Rail Rail pour chemises Baranda de archivo		1	1
O1 File Rail Rail pour chemises Baranda de archivo		1	1
P1 Cam Roulette à blocage Leva		9	1
Q1 Pin Cheville Perno		9	1
R1 Dowel Goujon Taquete		12	1
T1 Dowel Goujon Taquete		1	1

Name/Nom/Nombre	Part/Pièce/Pieza	Qty. Qté Cantidad	Spare Épargner Sobrante
S1 2" Screw Vis de 51mm Tornillo de 51mm		14	1
S2 1-1/2" Screw Vis de 38mm Tornillo de 38mm		30	1
S3 1" Screw Vis de 25mm Tornillo de 25mm		4	1
S4 1/2" Screw Vis de 12mm Tornillo de 12mm		46	1
S5 9/16" Screw Vis de 14mm Tornillo de 14mm		18	1
S6 5/8" Screw Vis de 16mm Tornillo de 16mm		2	1
S7 1" Bolt Boulon de 25mm Perno de 25mm		2	1
S8 5/8" Bolt Boulon de 16mm Perno de 16mm		12	1
U1 Plastic Corner Bracket Support de coin en plastique Ménsula plástica en L		12	

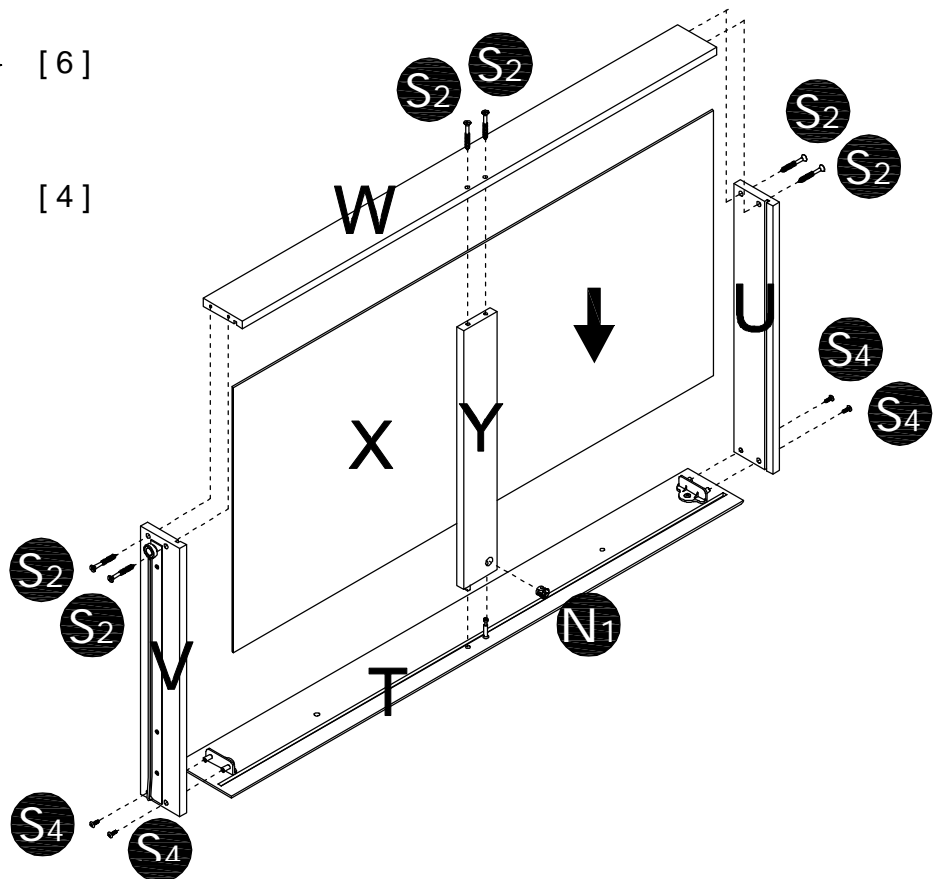
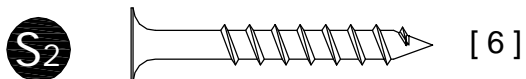
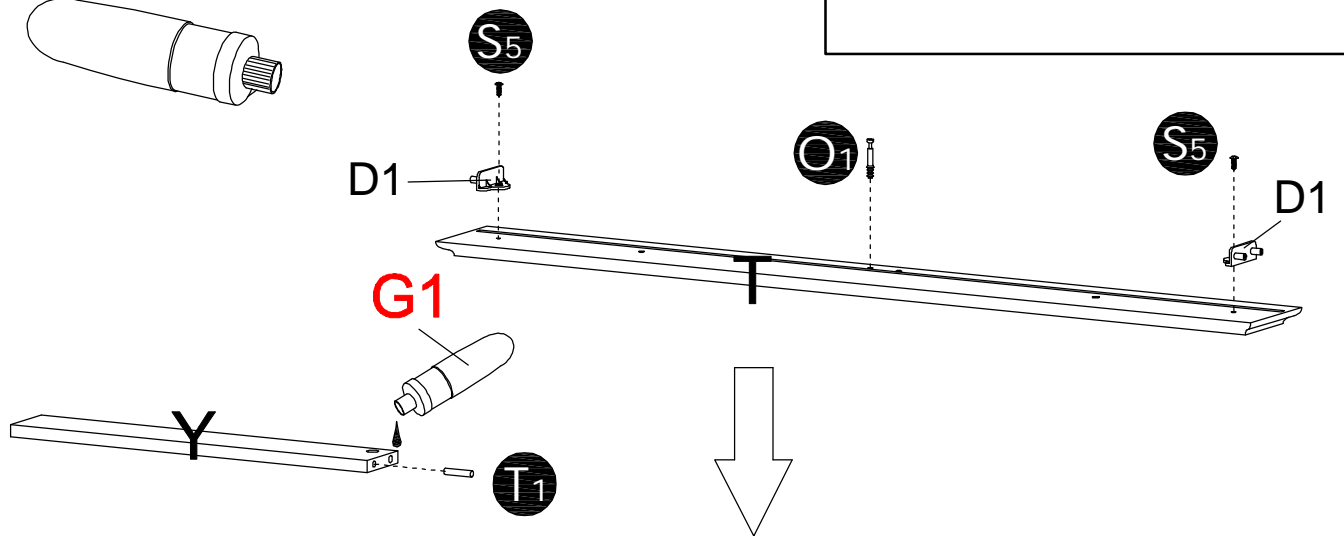
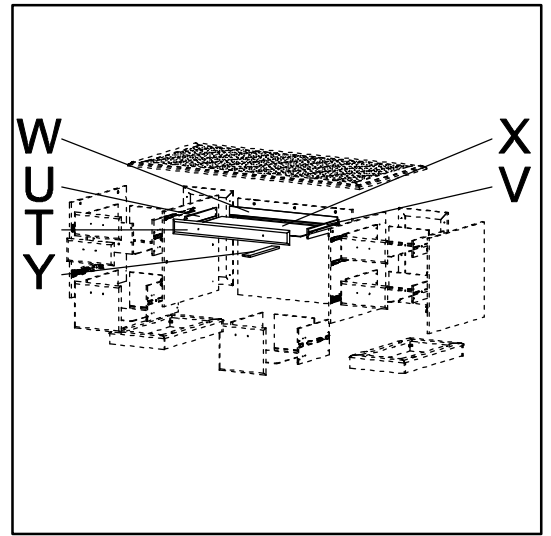
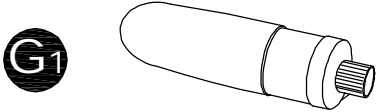
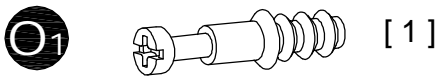
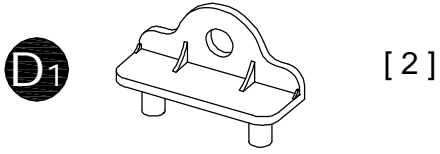
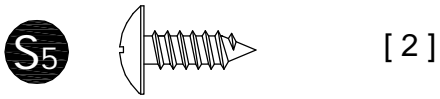
COMPARISON SIZE CHART
 TABLEAU DE COMPARAISON DE TAILLES
 TABLA DE COMPARACIÓN DE TAMAÑOS

	2" Screw Vis de 51mm Tornillo de 51mm	
	1-1/2" Screw Vis de 38mm Tornillo de 38mm	
	1" Screw Vis de 25mm Tornillo de 25mm	
	1/2" Screw Vis de 12mm Tornillo de 12mm	
	9/16" Screw Vis de 14mm Tornillo de 14mm	
	5/8" Screw Vis de 16mm Tornillo de 16mm	
	1" Bolt Boulon de 25mm Perno de 25mm	
	5/8" Bolt Boulon de 16mm Perno de 16mm	

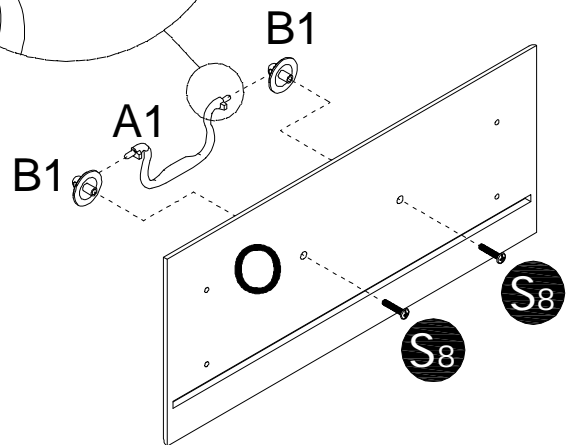
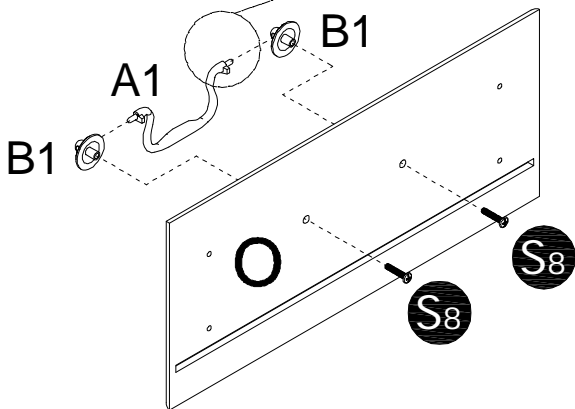
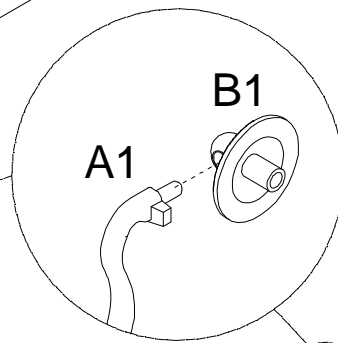
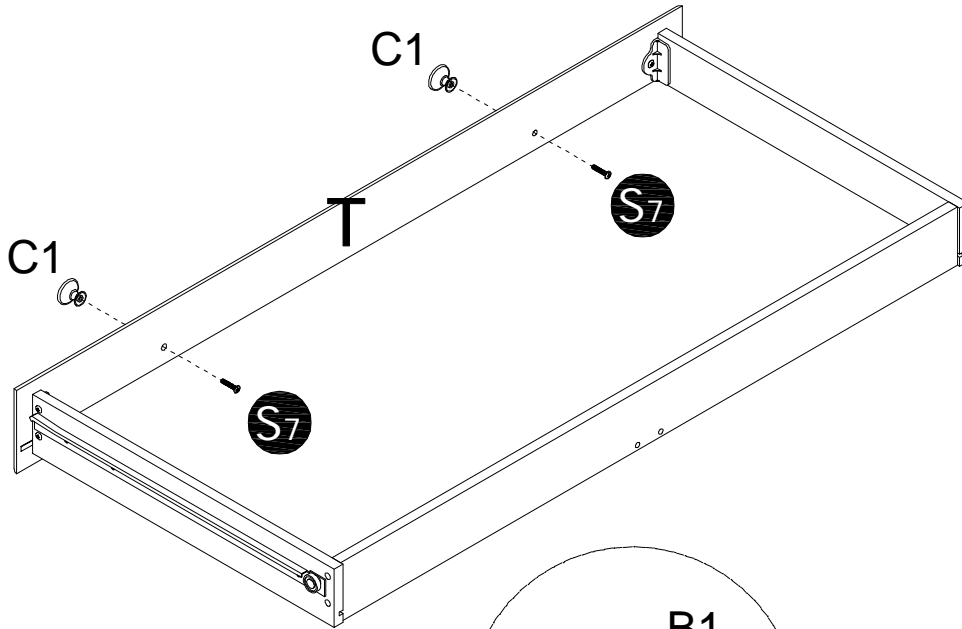
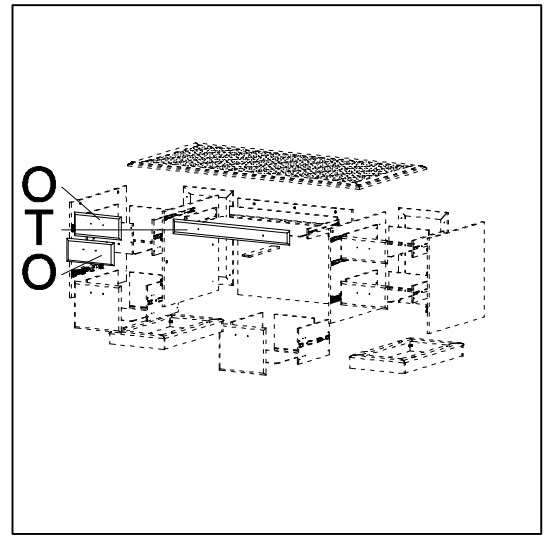
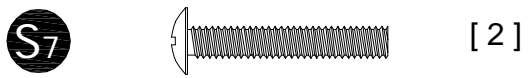
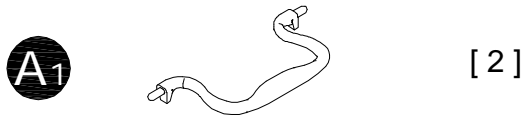
STEP 1



STEP 2

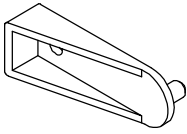


STEP 3



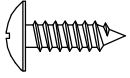
STEP 4

I1

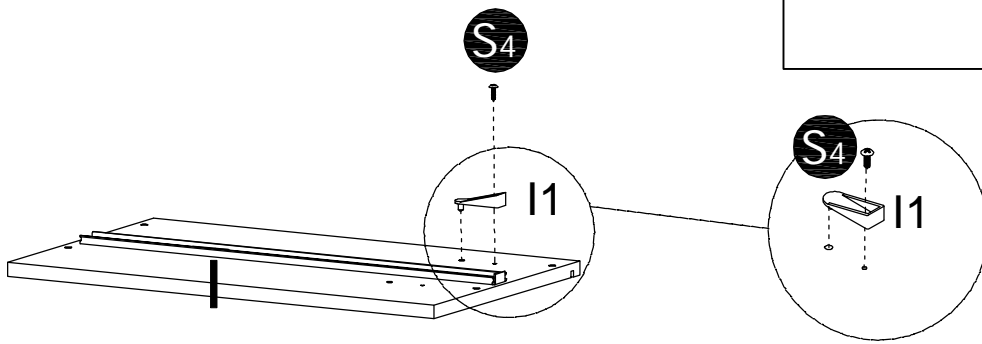
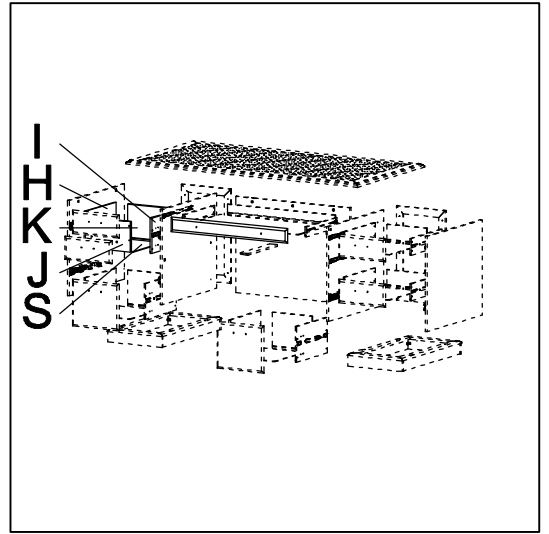


[1]

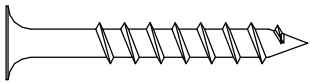
S4



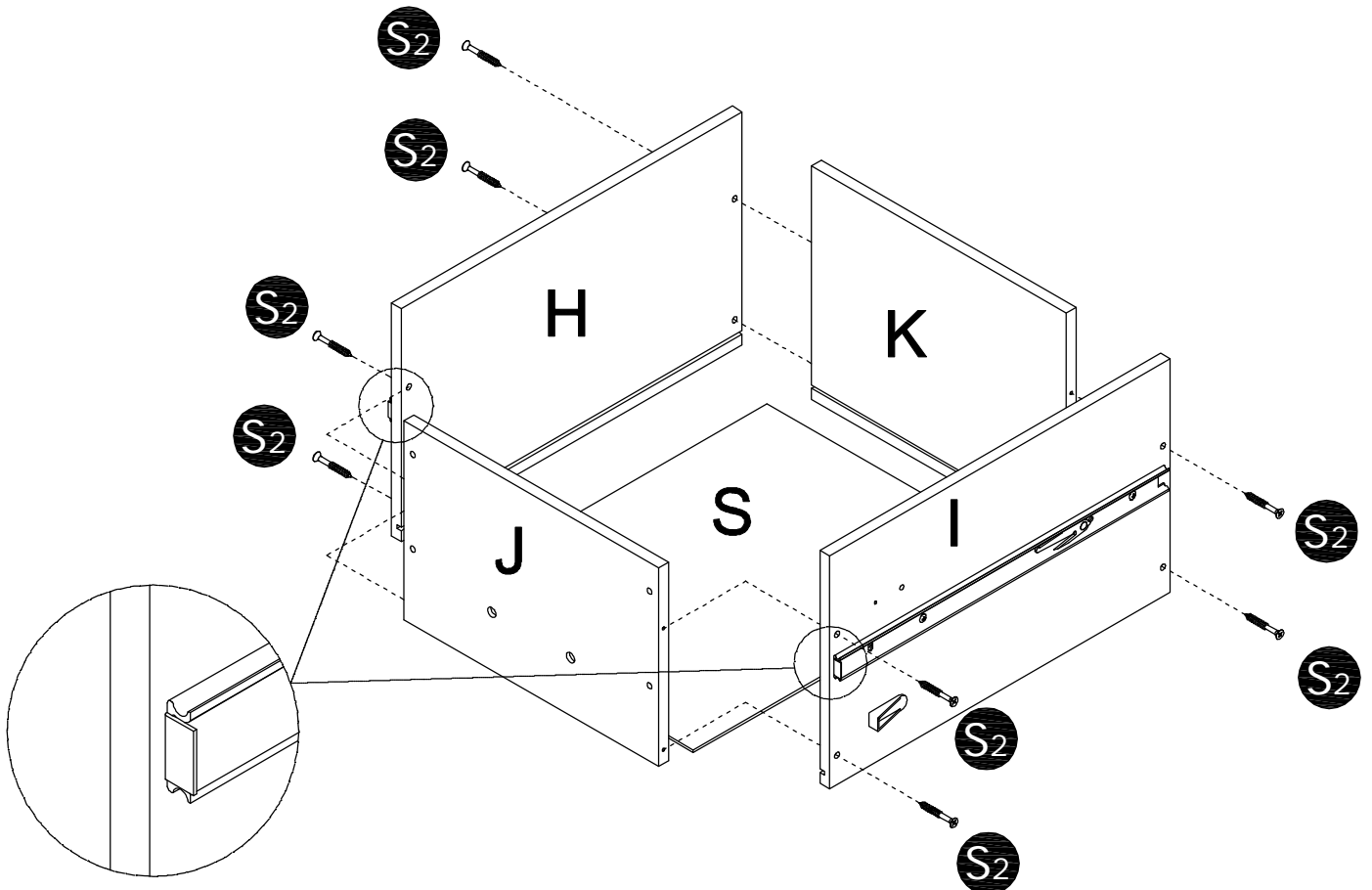
[1]



S2

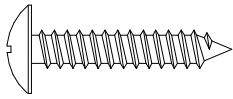


[8]

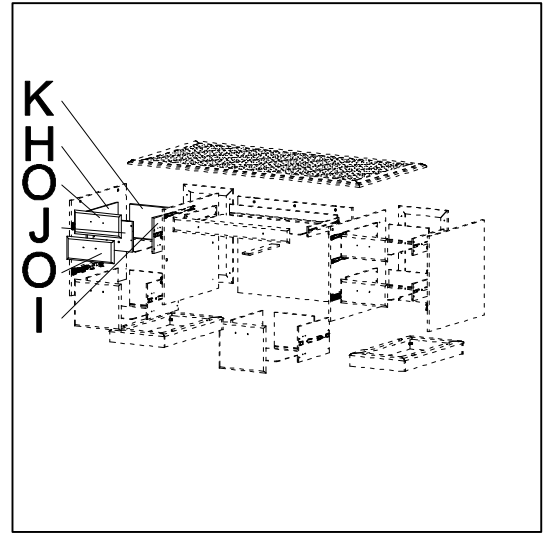
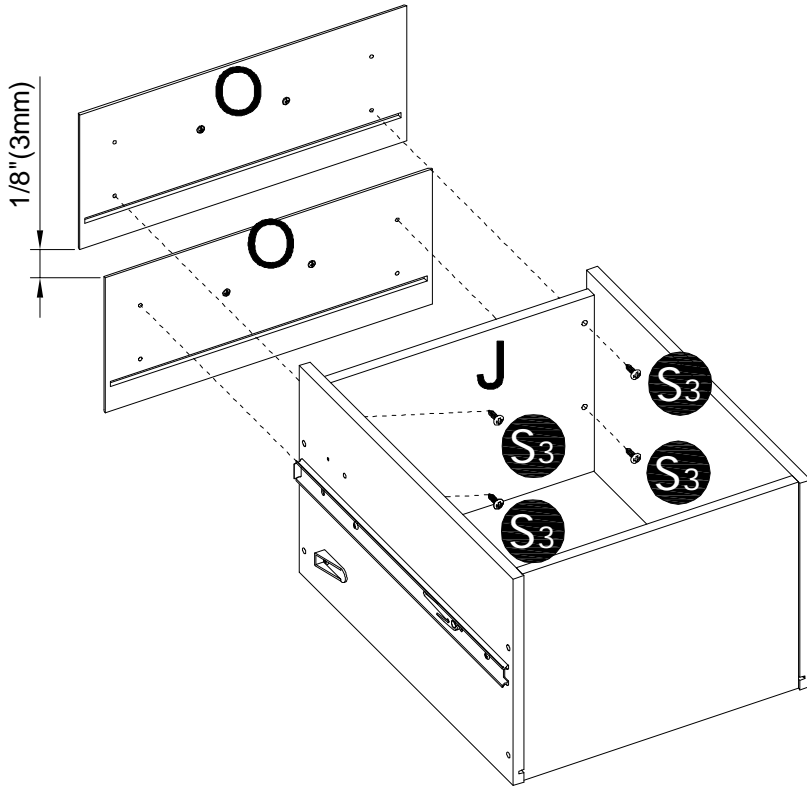


STEP 5

S₃



[4]

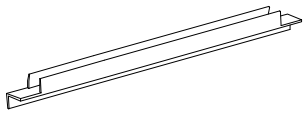


K₁



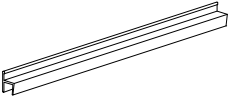
[1]

L₁

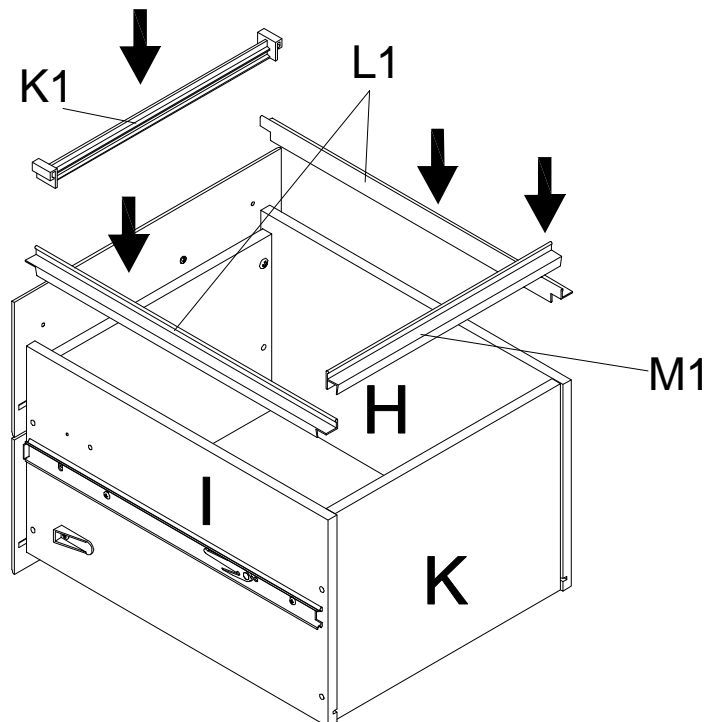


[2]

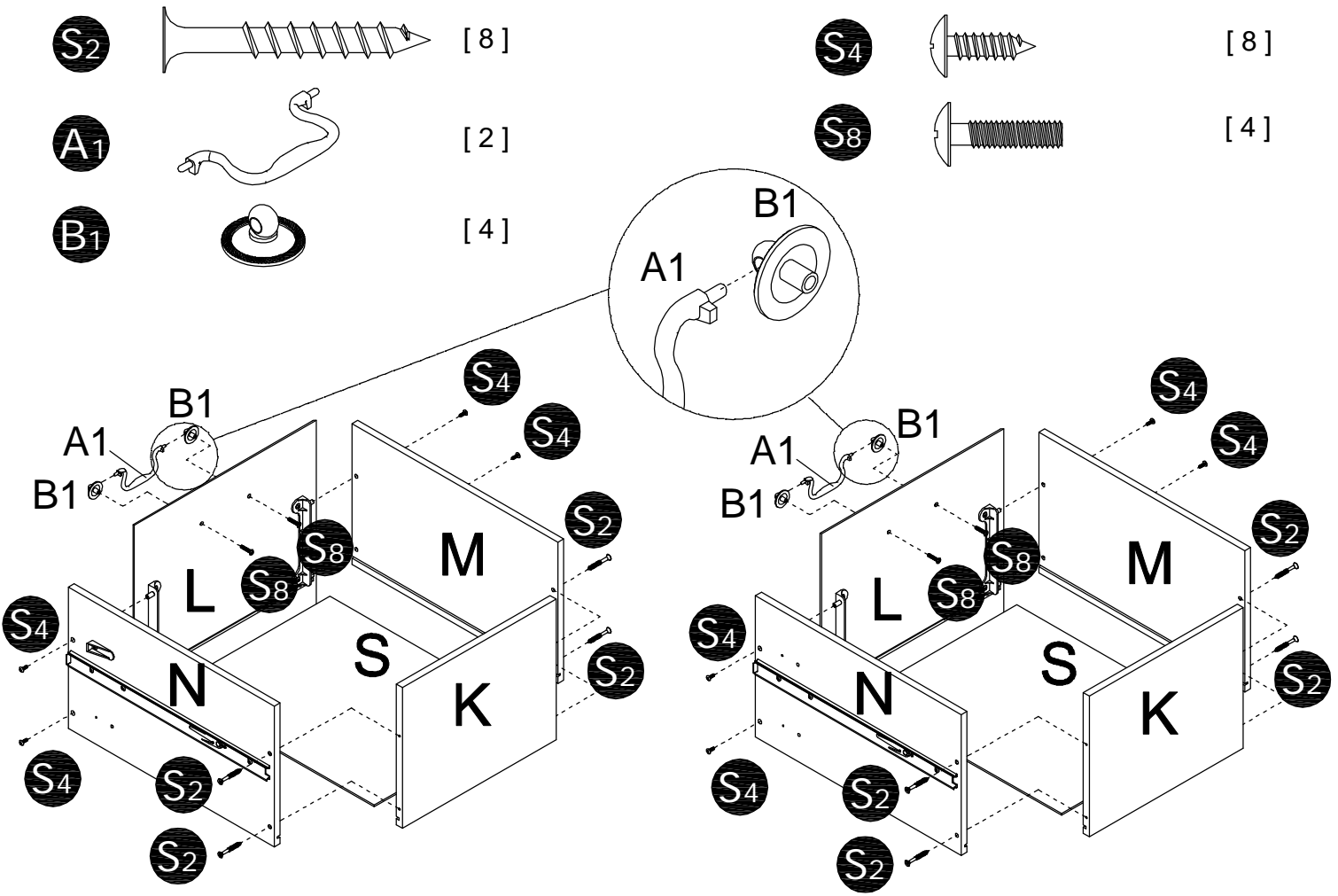
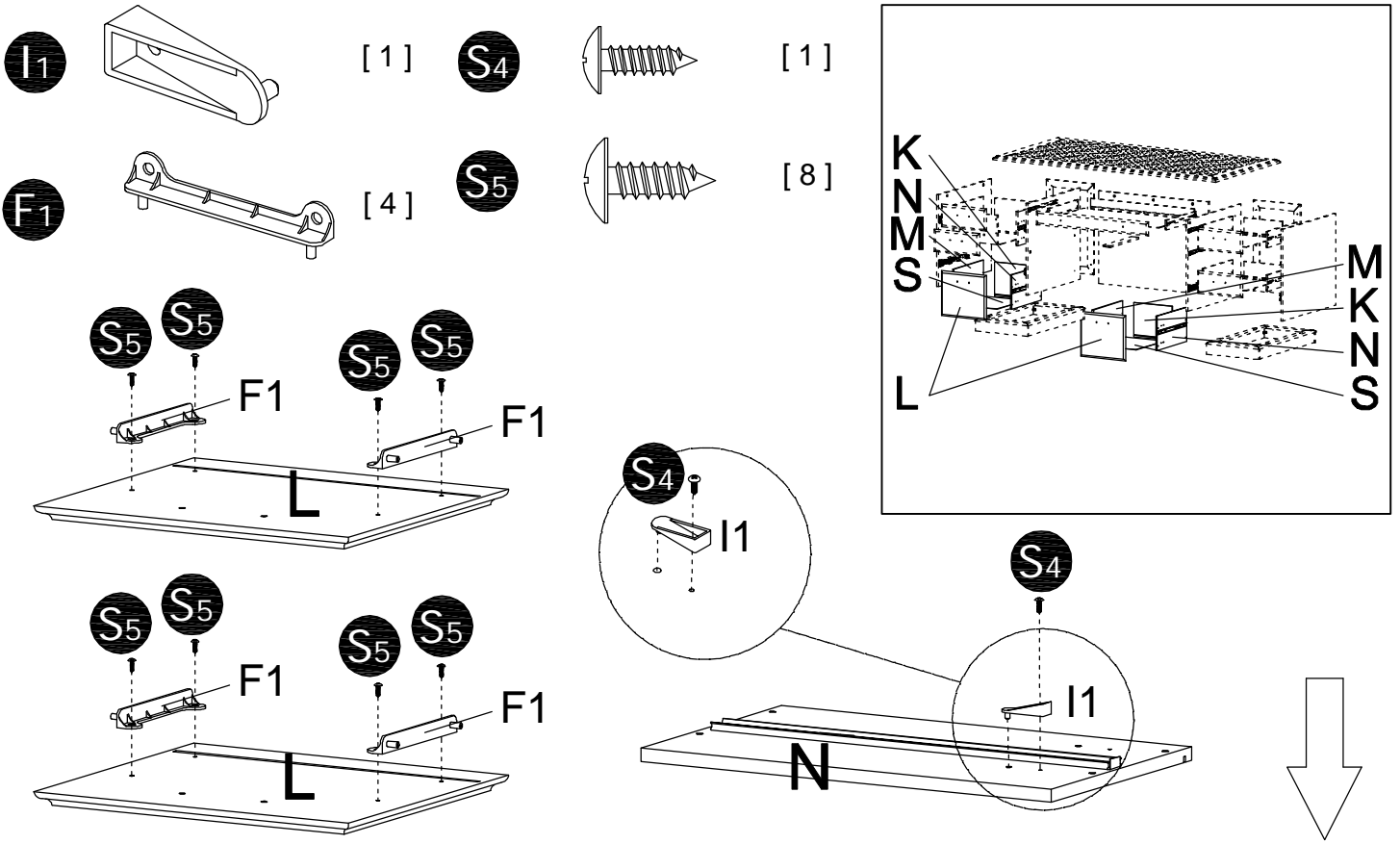
M₁



[1]



STEP 6

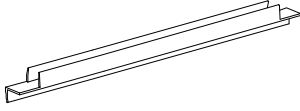


STEP 7

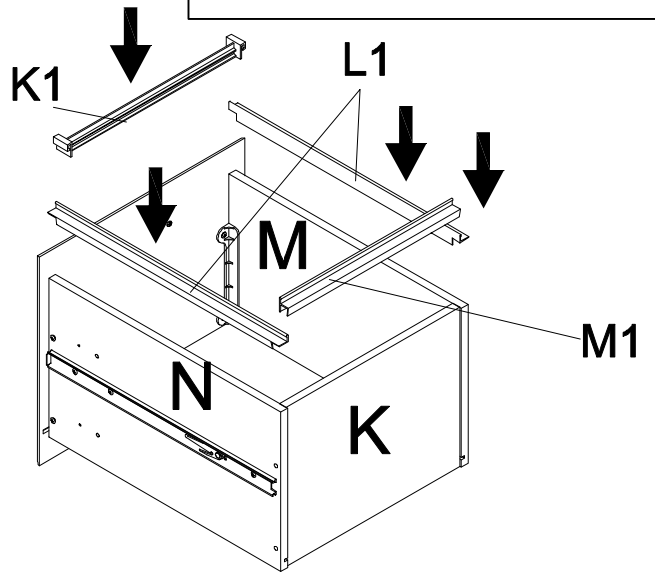
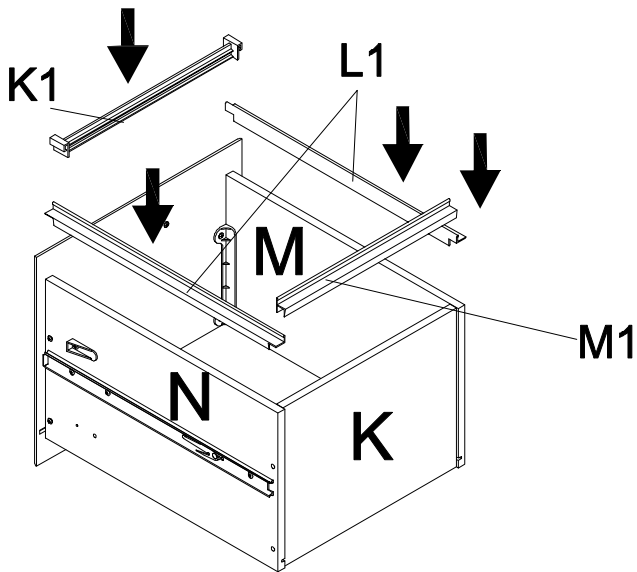
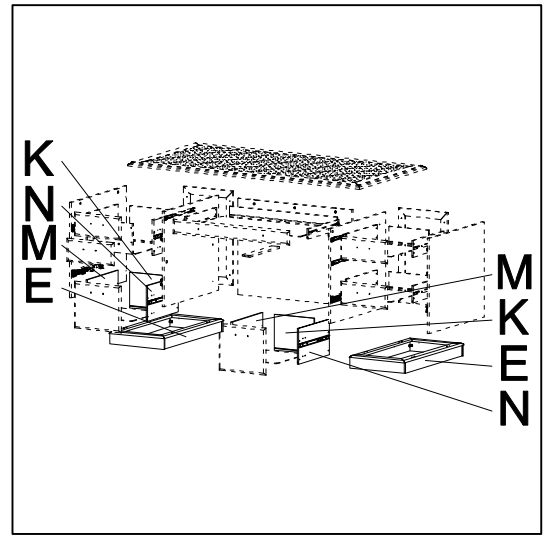
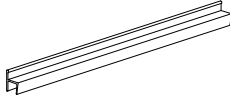
K₁ [2]



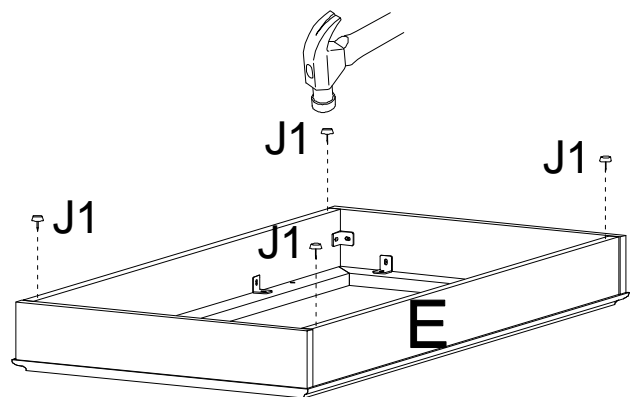
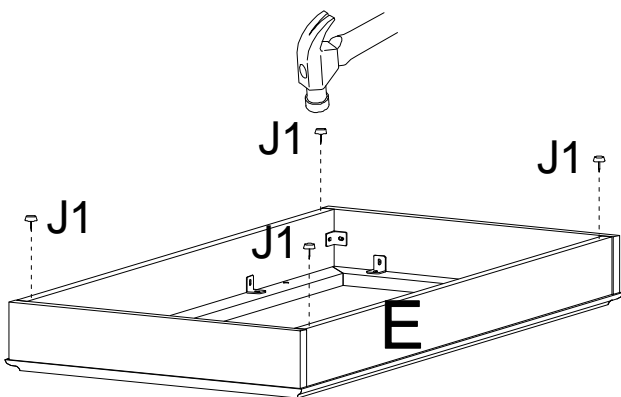
L₁ [4]



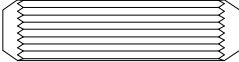
M₁ [2]

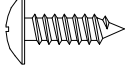


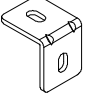
J₁ [8]

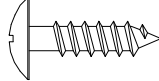


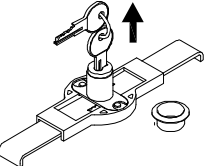
STEP 8

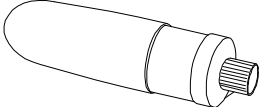
R1  [6]

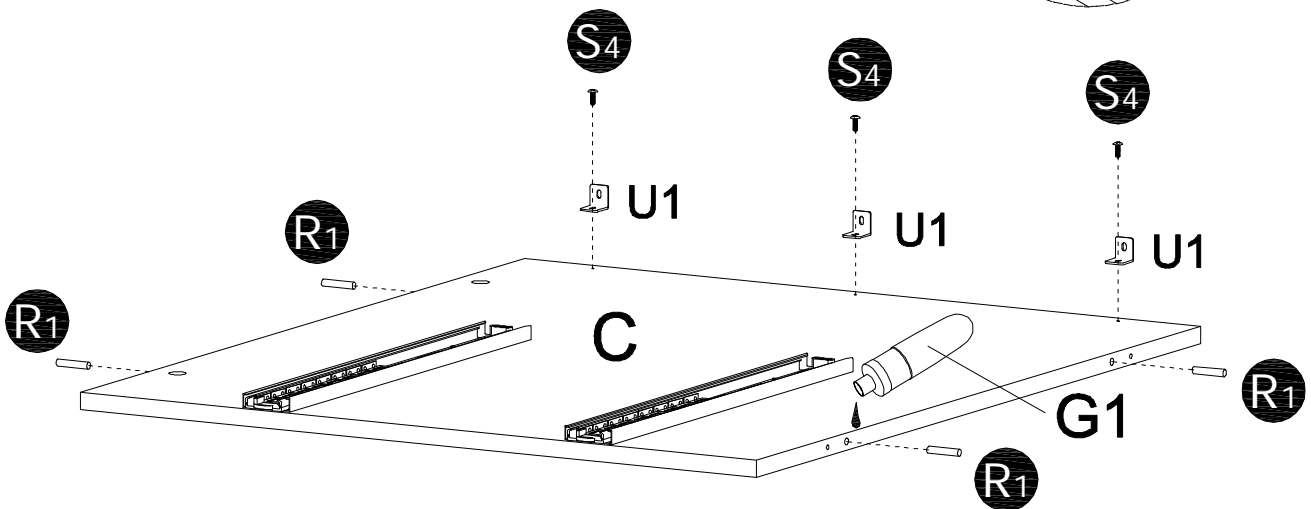
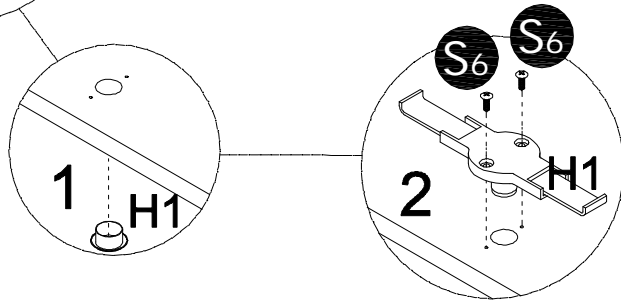
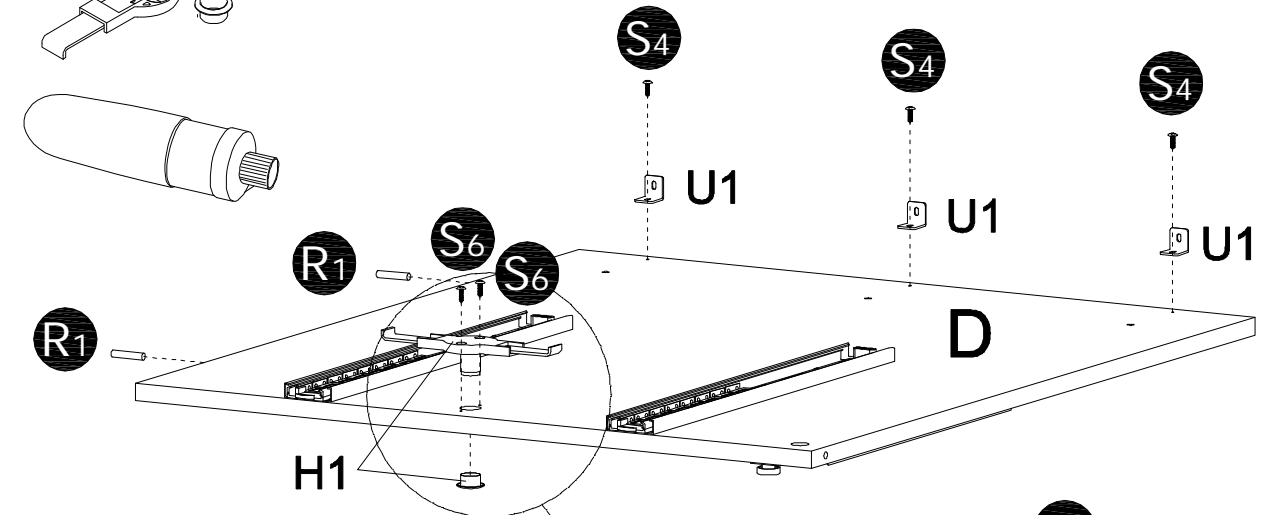
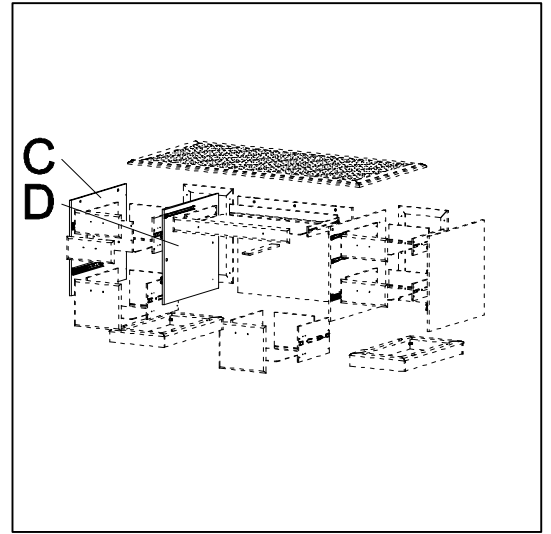
S4  [6]

U1  [6]

S6  [2]

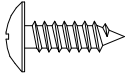
H1  [1]

G1 

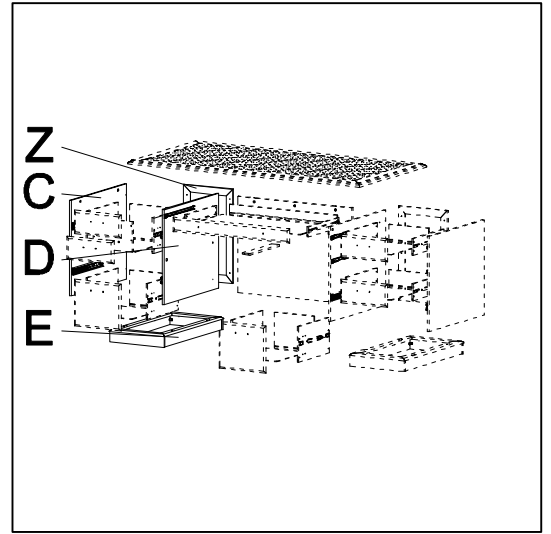
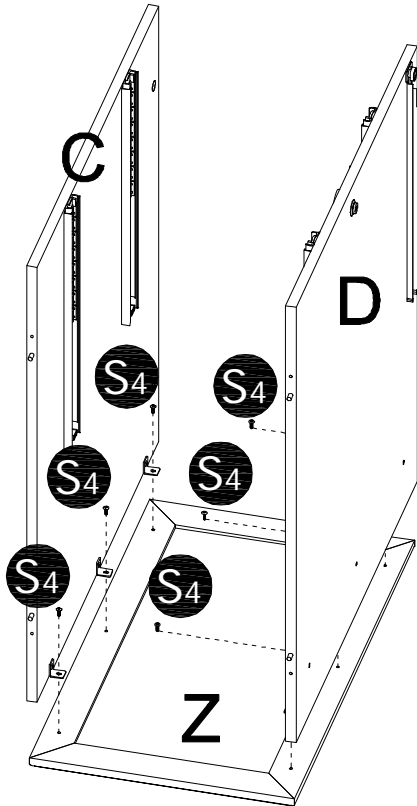


STEP 9

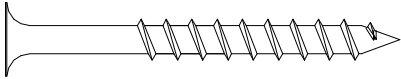
S4



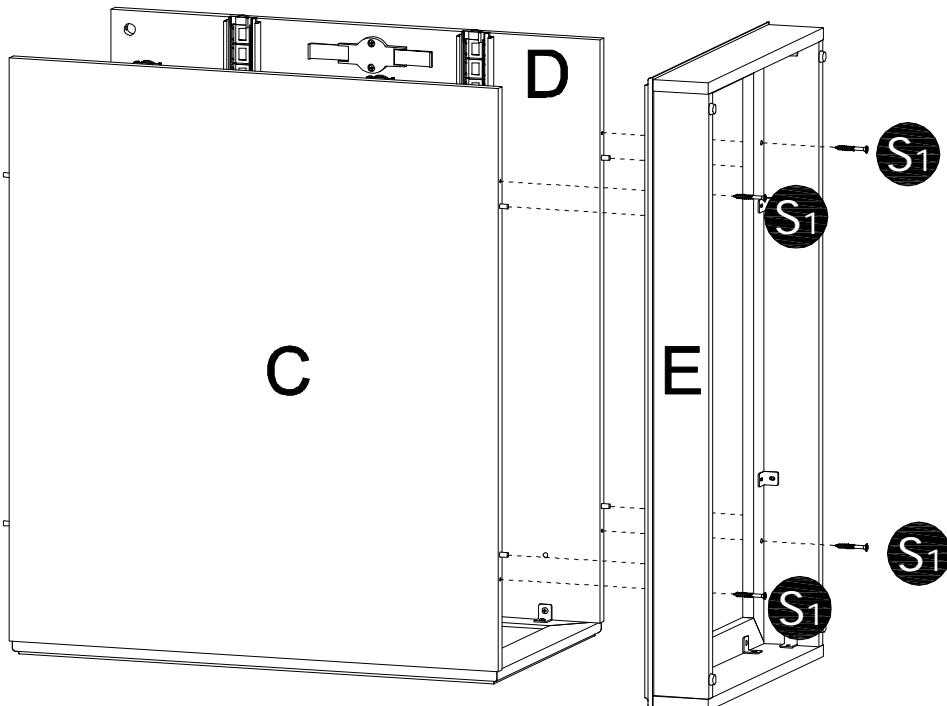
[6]



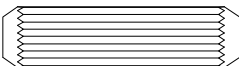
S1




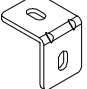
[4]

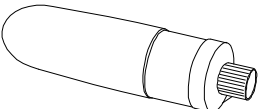


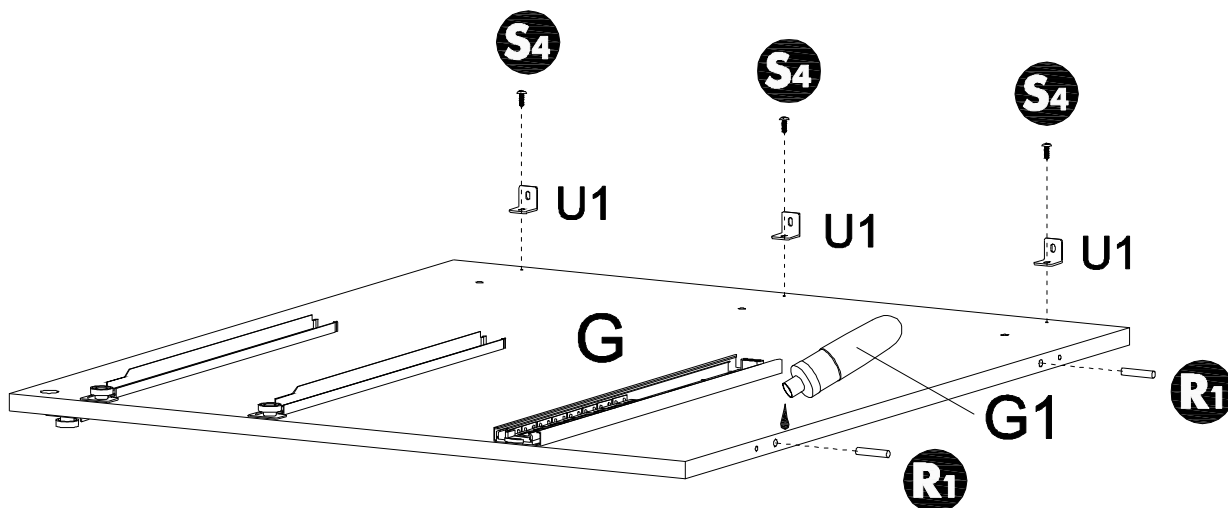
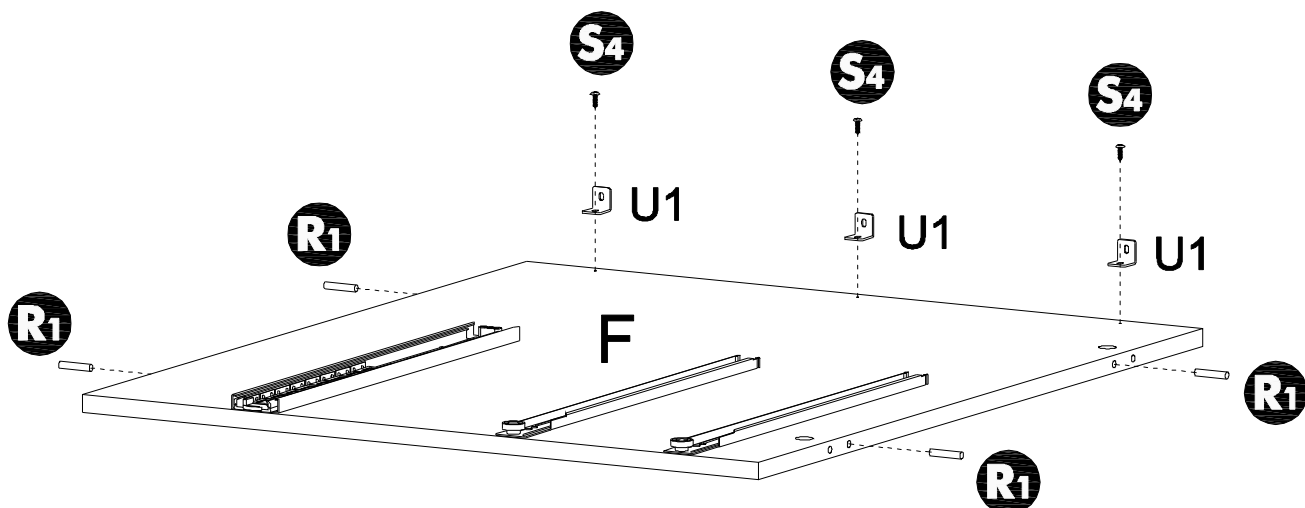
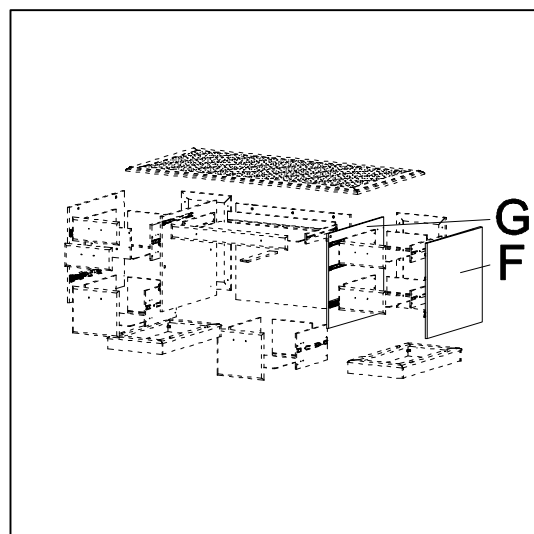
STEP 10

R1  [6]

S4  [6]

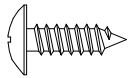
U1  [6]

G1 

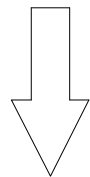
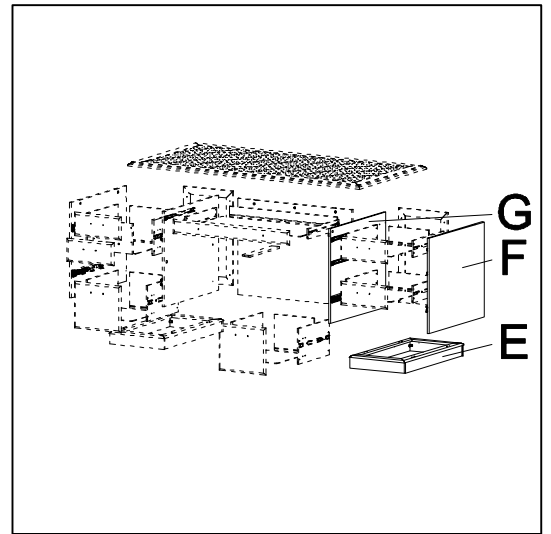
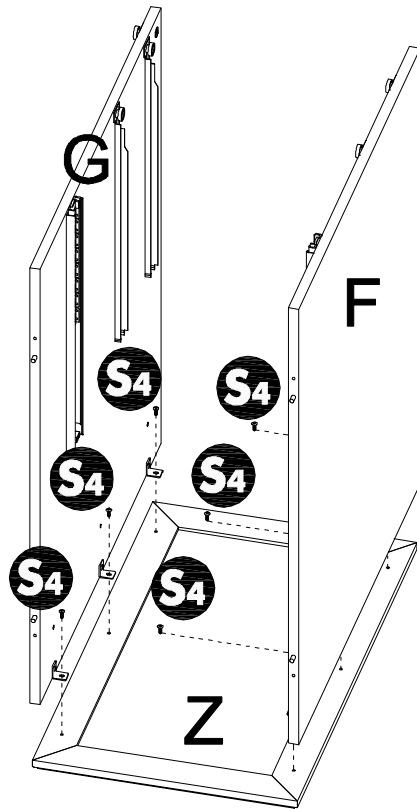


STEP 11

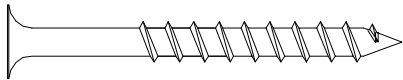
S4



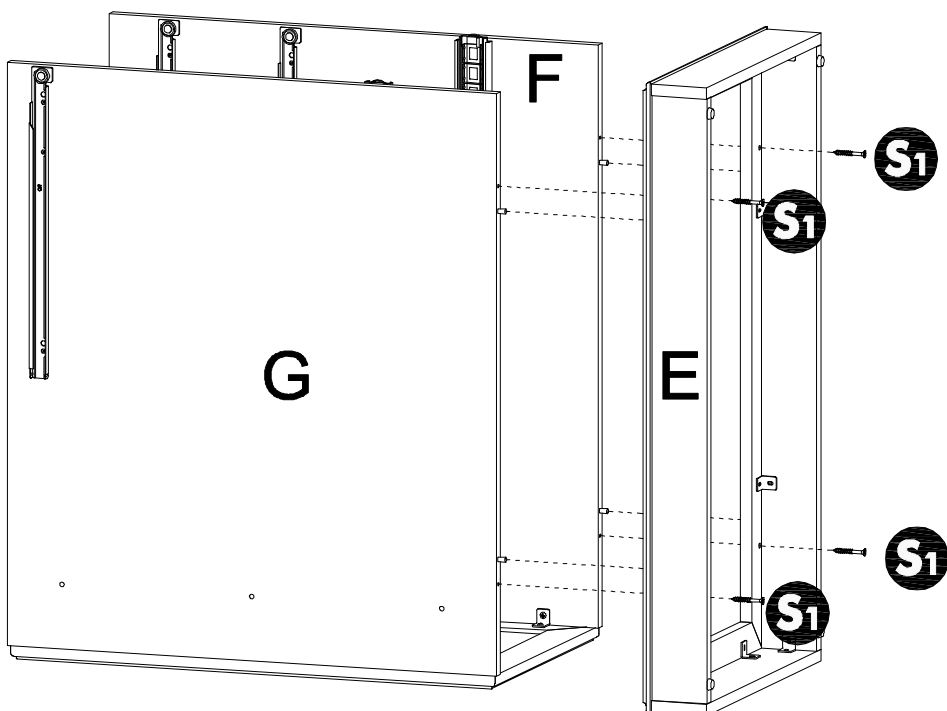
[6]



S1

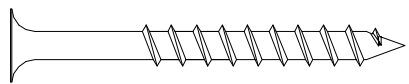


[4]

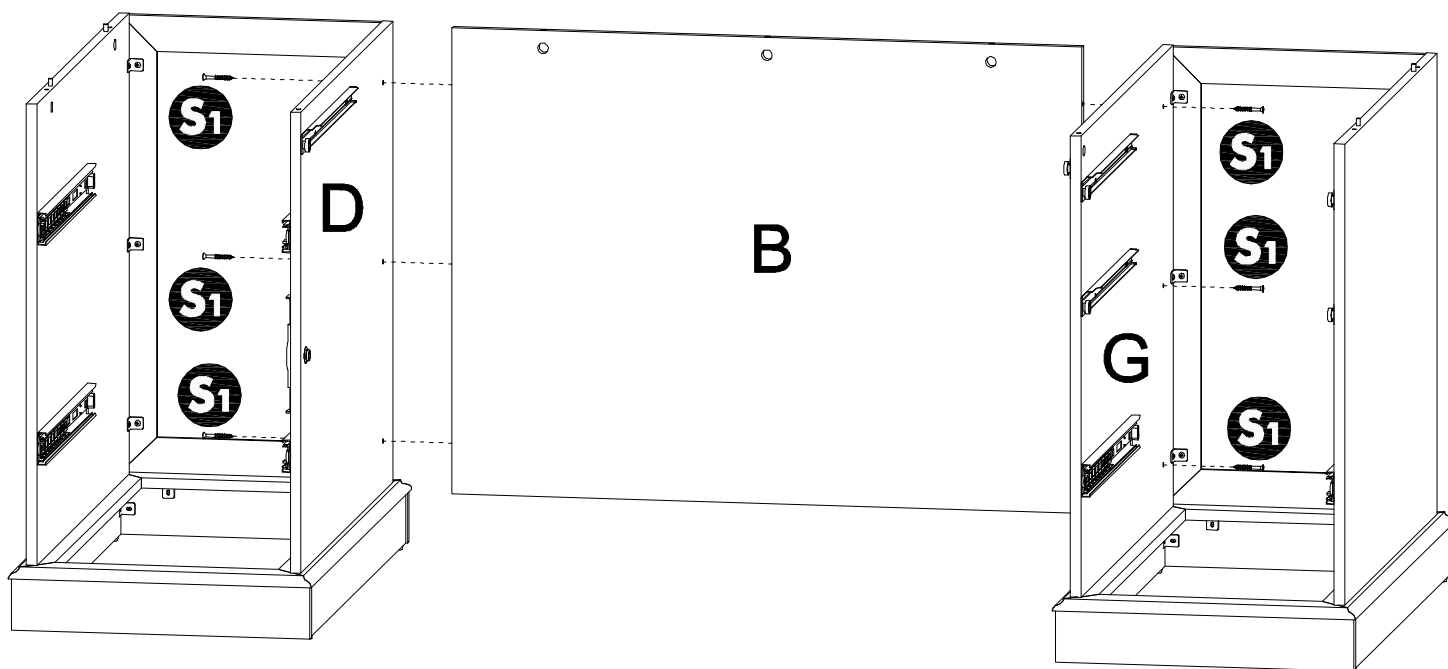
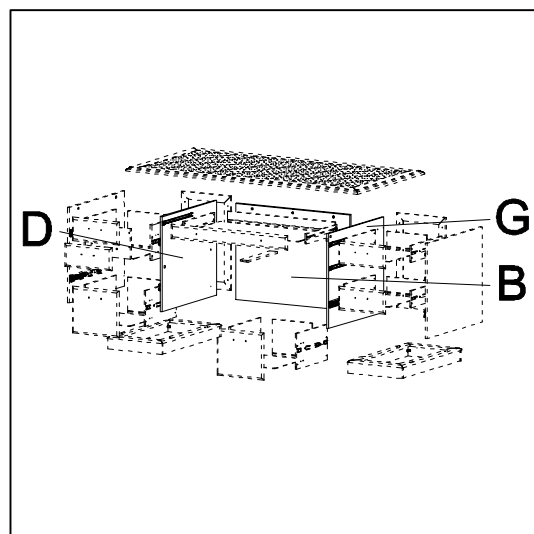


STEP 12

S1

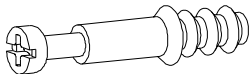


[6]

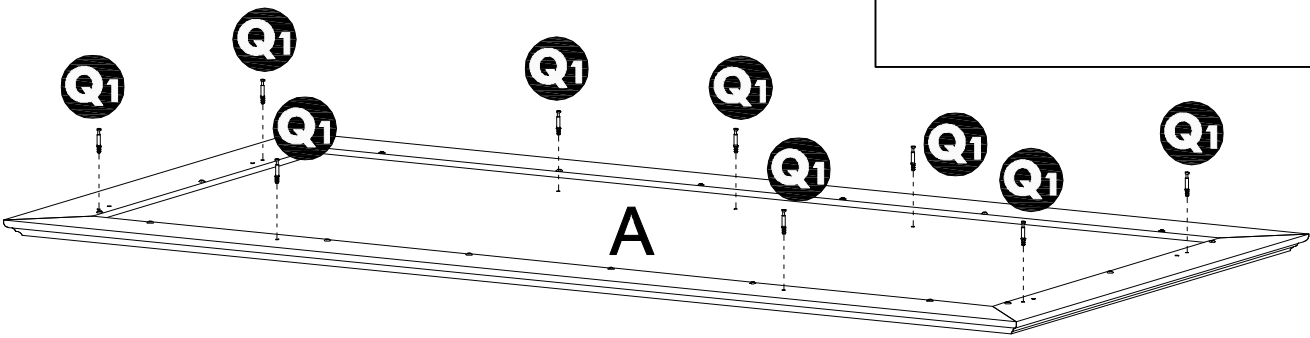
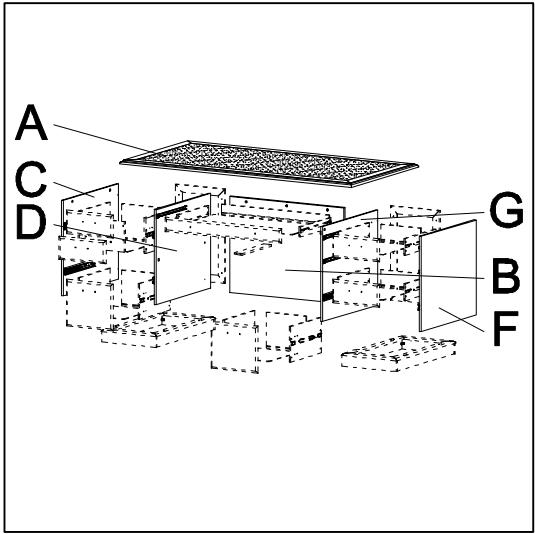


STEP 13

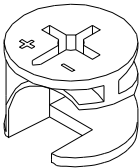
Q1



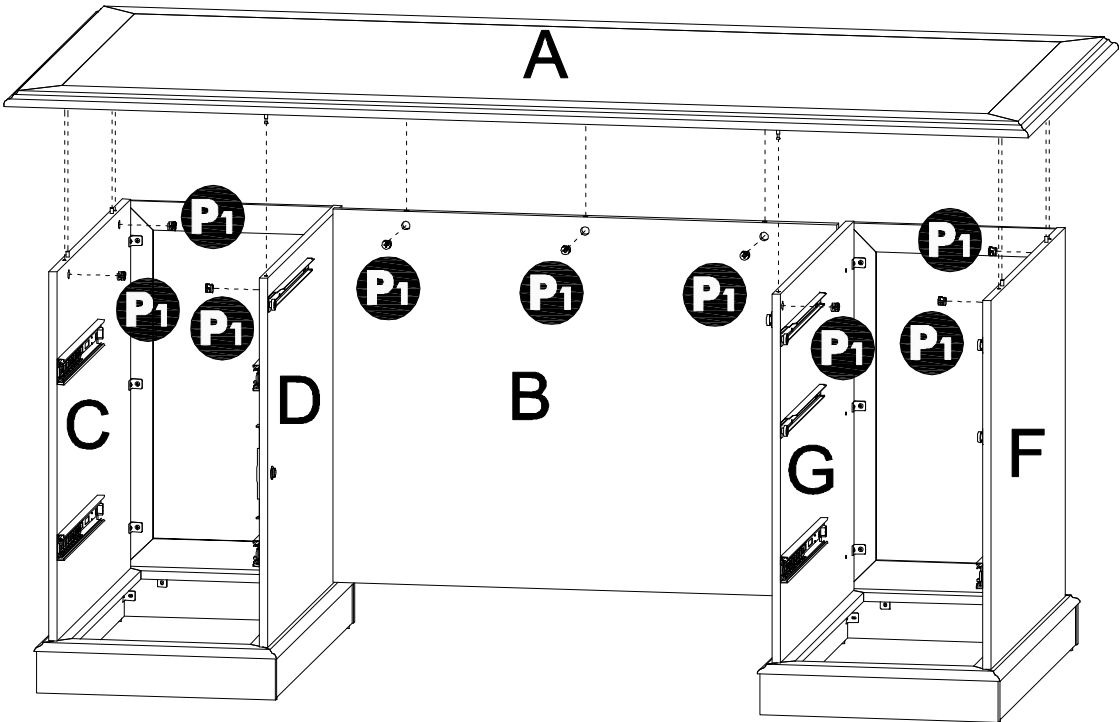
[9]



P1



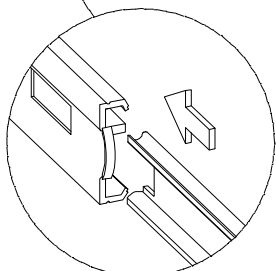
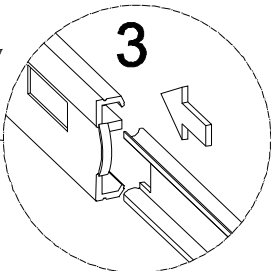
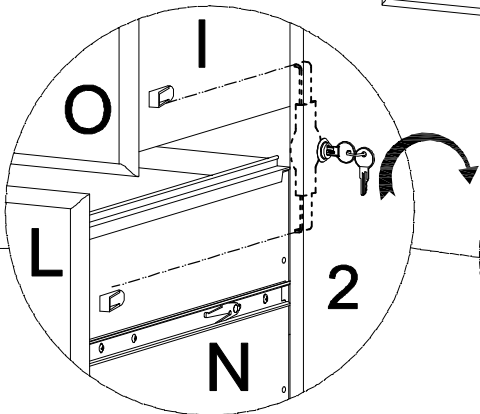
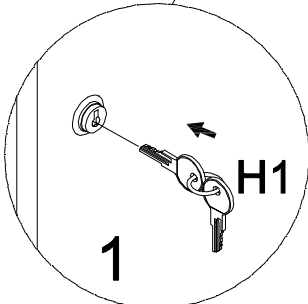
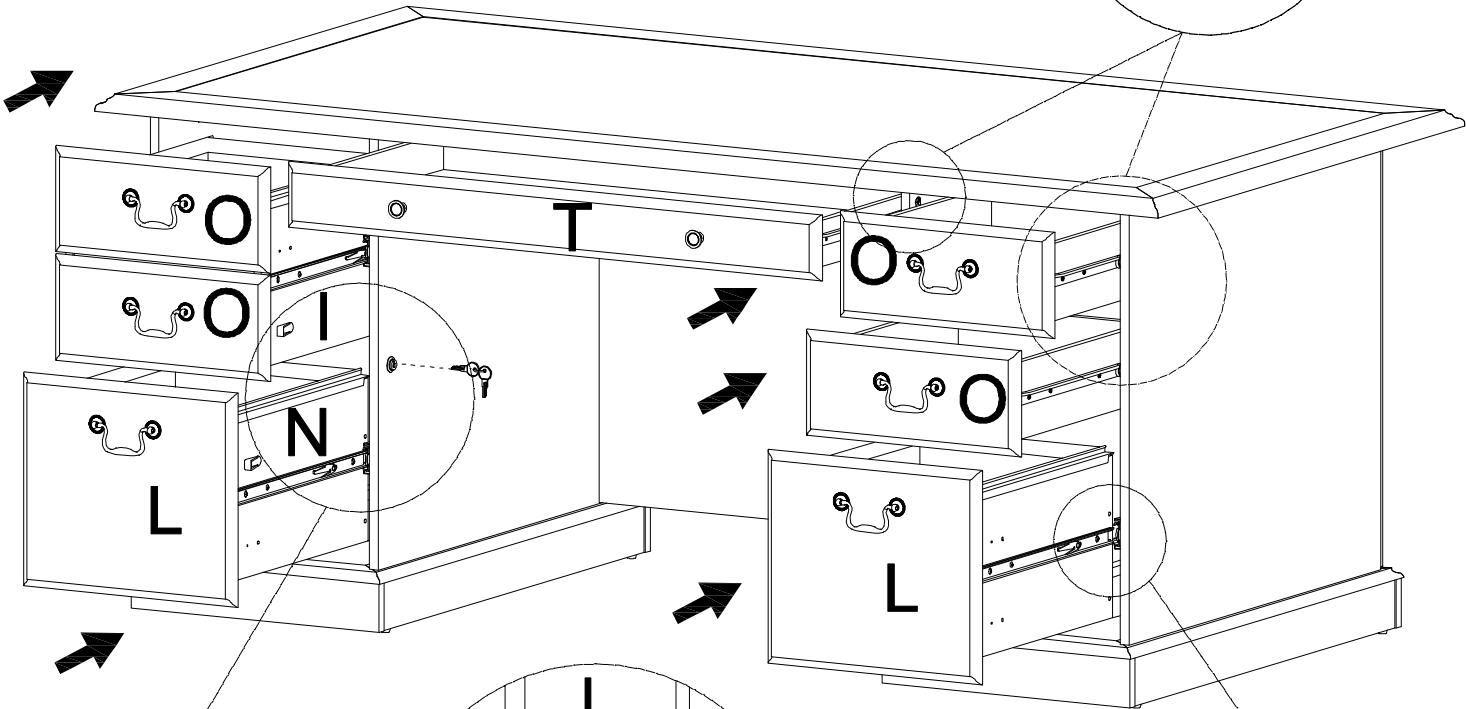
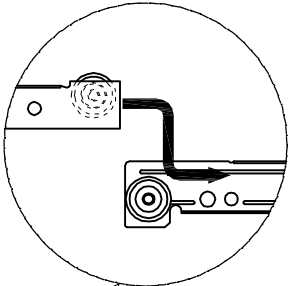
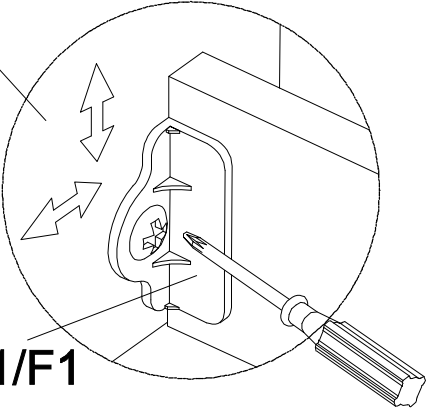
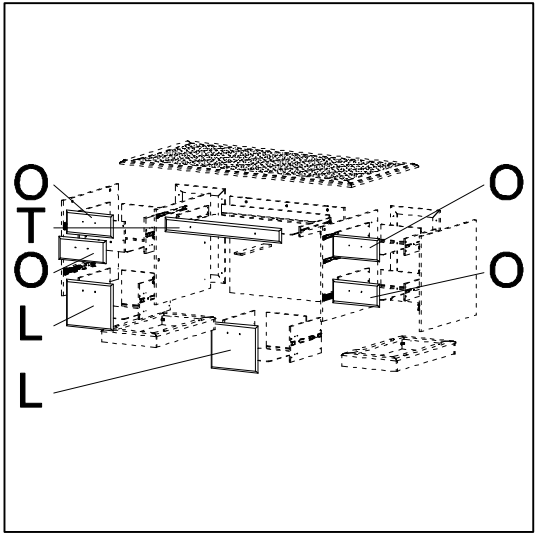
[9]



STEP 14

O/L/T

D1/E1/F1



Huali Trading Australia Pty Ltd Limited Three Year Warranty

This limited warranty covers the original purchase of new products used for normal commercial, personal or household use. Huali Trading Australia Pty Ltd (HTA) warrants its products will be free from defects in materials and workmanship (normal wear and tear excepted), for three (3) years from the date of purchase, except as provided below. **Any defective part for this product must be reported to HAT by the purchaser within 30 days of when defect becomes known.** HAT, at its' option, will **repair or replace this product or component(s) free of charge. Original sales receipt will be required prior to repair or replacement.** This warranty applies under conditions of normal use. This warranty does not apply to damage caused by fire, accident, negligence, misuse, use other than as stated in product instructions, improper cleaning or other circumstances not directly attributable to defects in materials and workmanship.

The word defects in this warranty is defined as imperfections that impair the use of the furniture product.

Natural variations occurring in wood or other materials will not be considered defects, and HTA does not warrant the colour – fastness or matching of colours, grains, or textures of such materials. This Warranty does not apply to: modifications of the product, attachments to the product not approved by HTA, and products that were not installed, used, or maintained in accordance with product instructions and warnings.

This warranty has the following exceptions: Fabrics, foam, veneer finishes and other covering materials are warranted for two (2) years from date of purchase.

Proof of purchase is required in the form of a receipt (copy or original) to validate warranty. All warranty claims can either be sent to:

Huali Trading Australia Pty Ltd
PO BOX 516
Wentworthville NSW 2145

Or faxed to (02) 9621 1050

HTA's sole obligation and the users exclusive remedy under this warranty shall be limited to the repair, Credit (only applies to distributors) or replacement at HTA's sole discretion and cost, of product or components under the "COMPETITION AND CONSUMER ACT 2010".

"Our goods come with guarantees that cannot be excluded under the Australian Consumer Law. You are entitled to a replacement or refund for a major failure and for compensation for any other reasonably foreseeable loss or damage. You are also entitled to have the goods repaired or replaced if the goods fail to be of acceptable quality and the failure does not amount to a major failure".

Service Instructions

If you are having trouble with assembling your new furniture, please call us on (02) 9621 4428 for assistance.