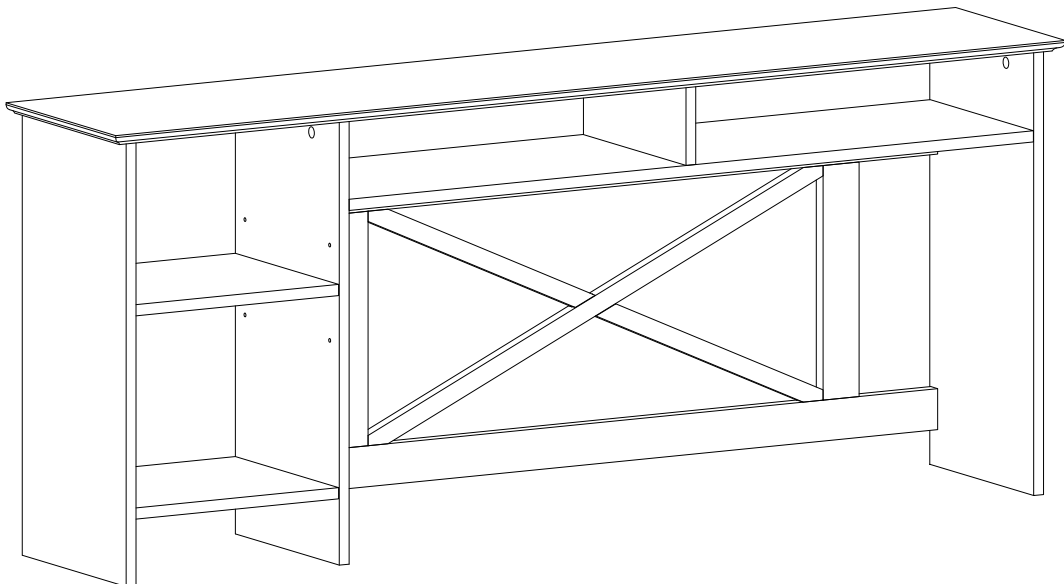


ASSEMBLY INSTRUCTIONS

ITEM#: OF2001/OF2009

Important Safety Instructions:

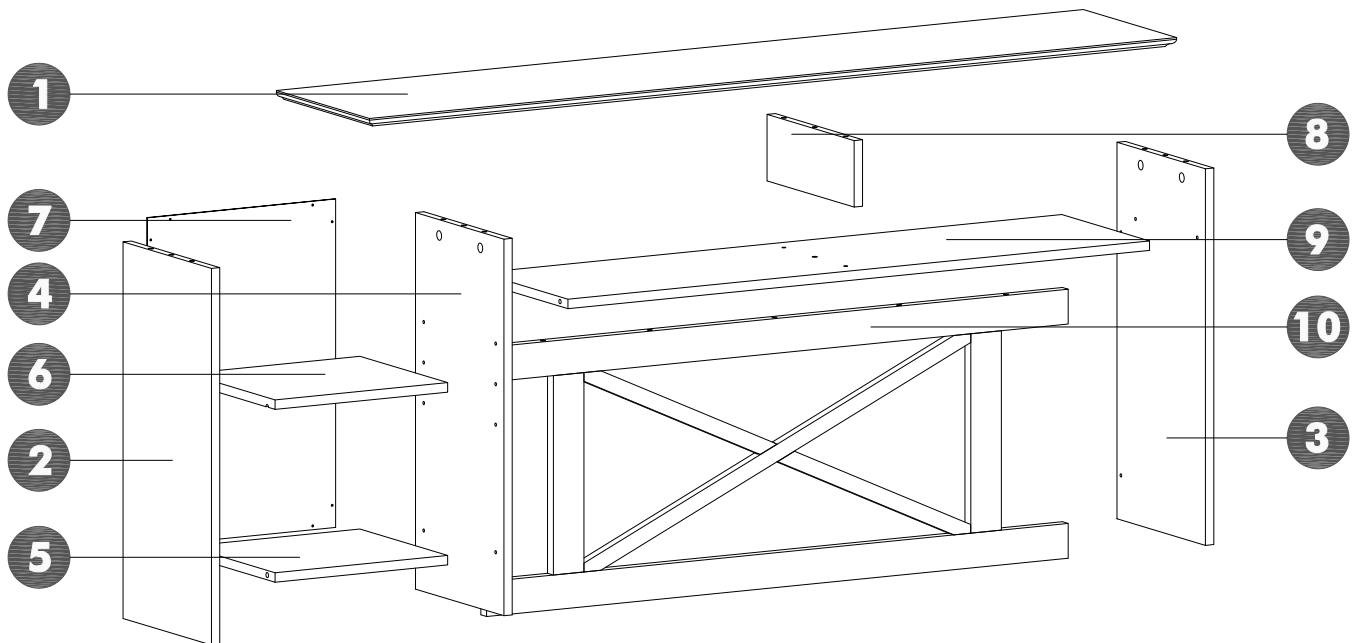
- Please read all instructions before beginning assembly
- Please make sure receive all the parcels to start the assembly
- For your safety and convenience, assembly by two people is recommended
- Use the parts and hardware lists to identify and separate each of the components included
- Save all packing materials until assembly is completed to avoid the accidental discarding of smaller parts or hardware



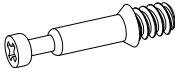


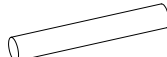
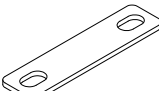
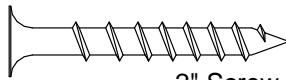
THANK YOU FOR PURCHASING

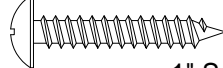

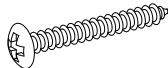
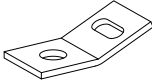
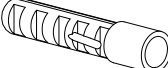

PARTS LIST

- ① X1 ② X1 ③ X1 ④ X1 ⑤ X1
 ⑥ X1 ⑦ X1 ⑧ X1 ⑨ X1 ⑩ X1



HARDWARE LIST

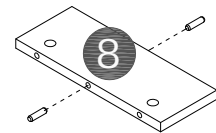
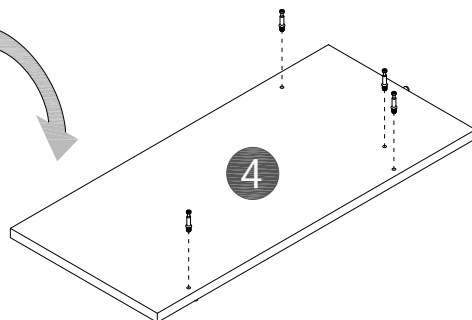
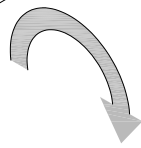
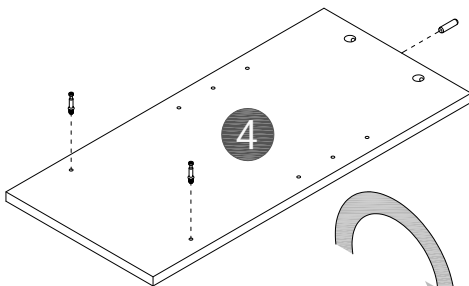
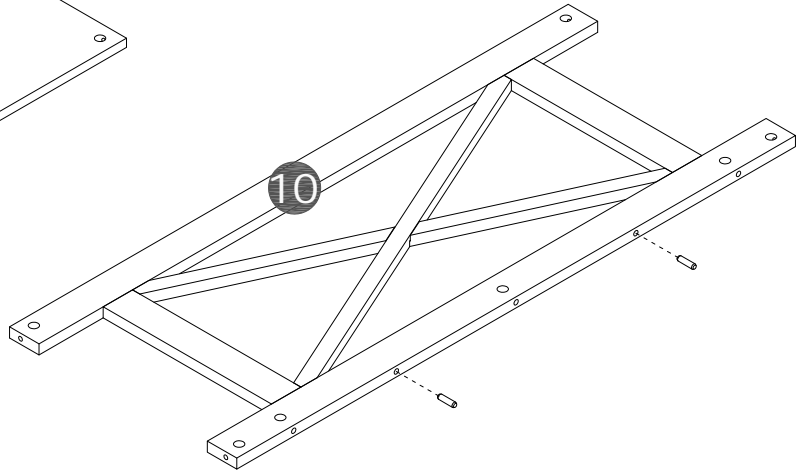
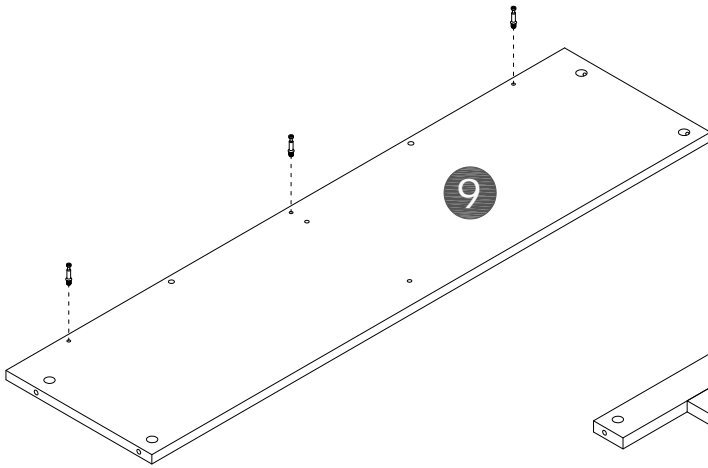
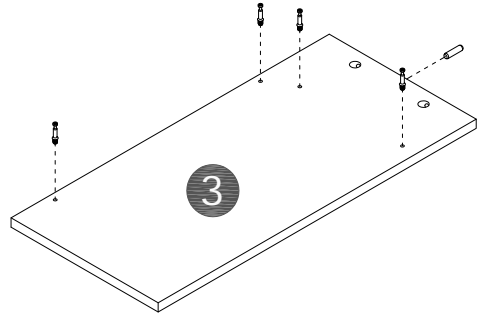
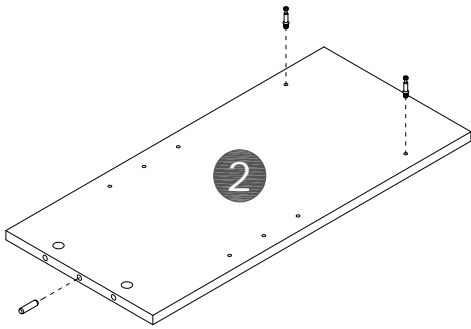
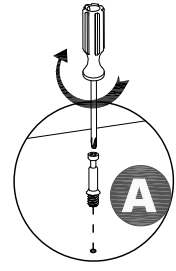
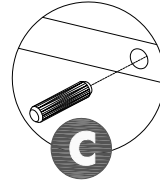
Name	Part	Qty.	Spare
A		23	1
B		23	1
C		7	1
D		4	
E		2	
F	 2" Screw	2	

Name	Part	Qty.	Spare
G	 1" Screw	4	1
H	 3/4" Nail	10	1
U1		2	
U3		2	
U4		1	
U5		1	

STEP 1

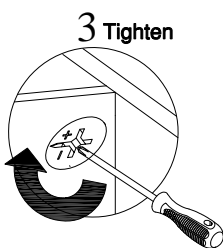
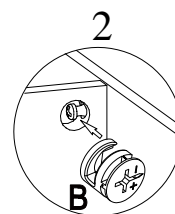
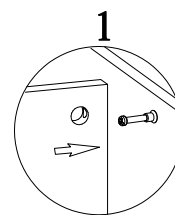
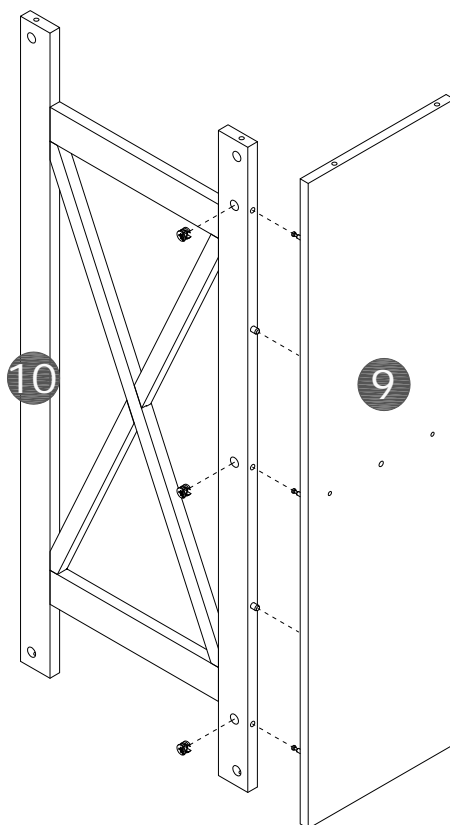
A x 15pcs 

C x 7pcs 



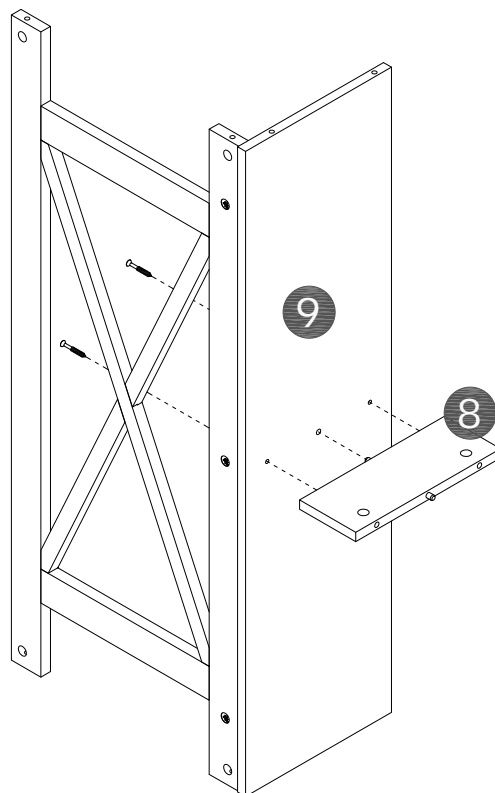
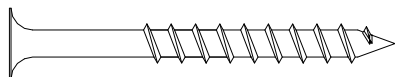
STEP 2

B x 3pcs



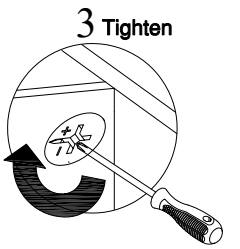
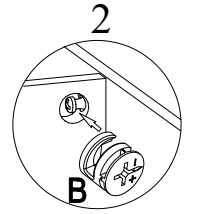
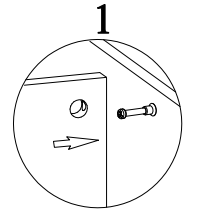
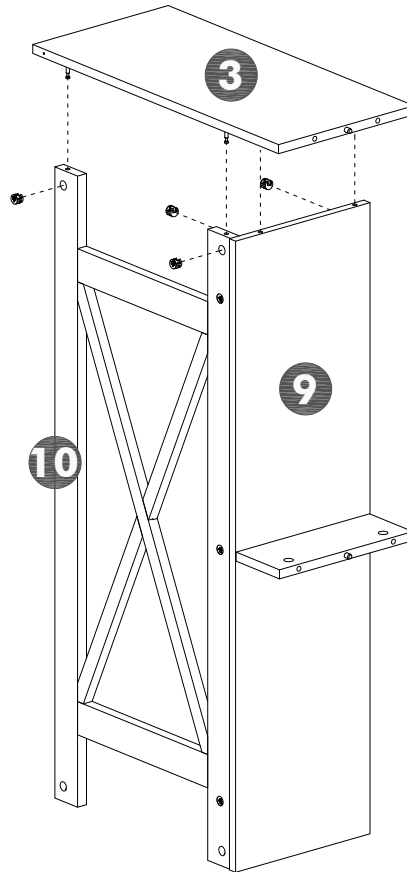
STEP 3

F x 2pcs



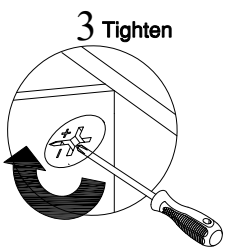
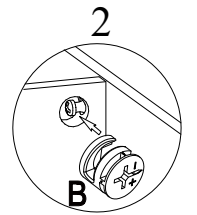
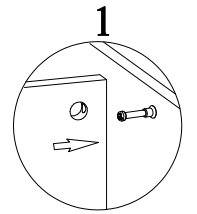
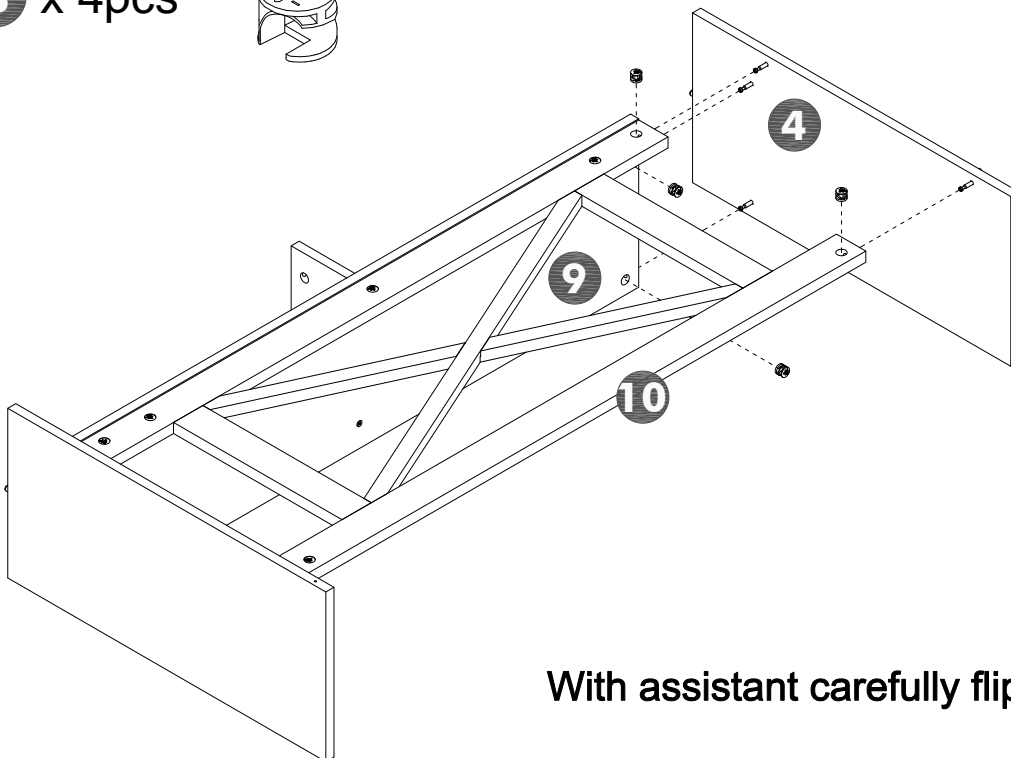
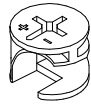
STEP 4

B x 4pcs



STEP 5

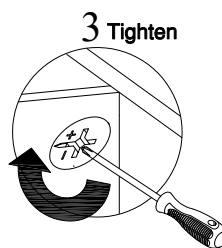
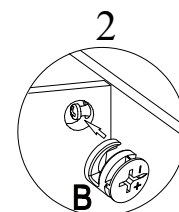
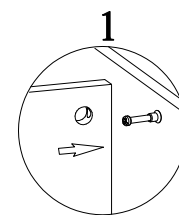
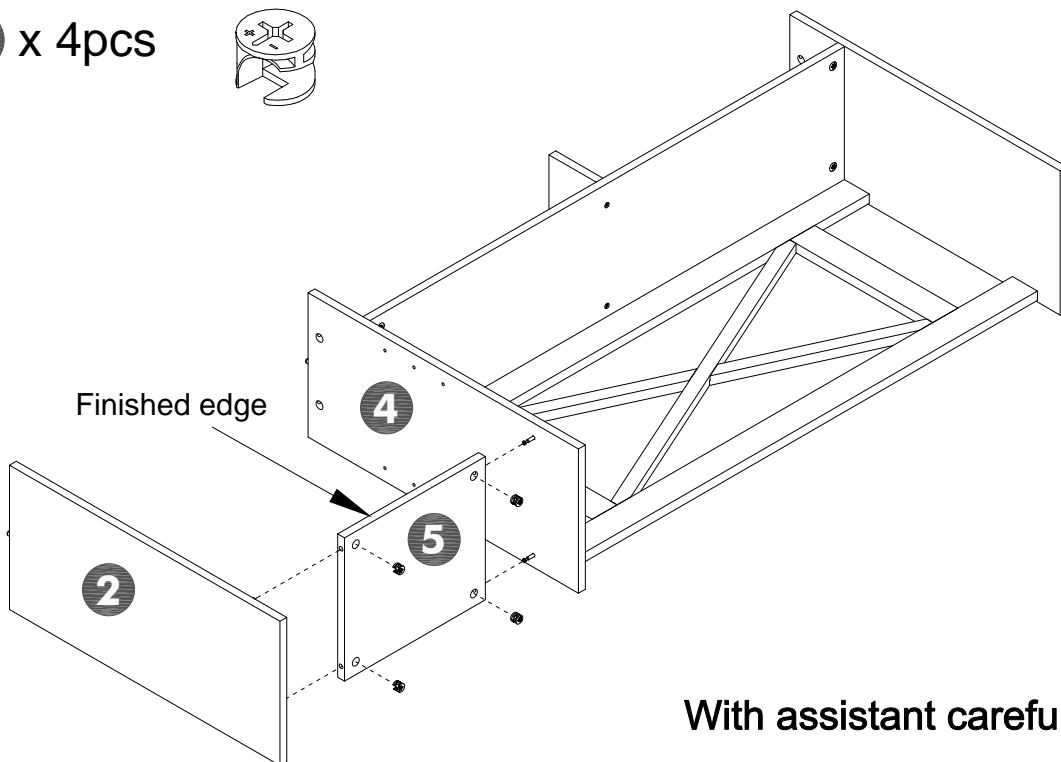
B x 4pcs



With assistant carefully flip unit over.

STEP 6

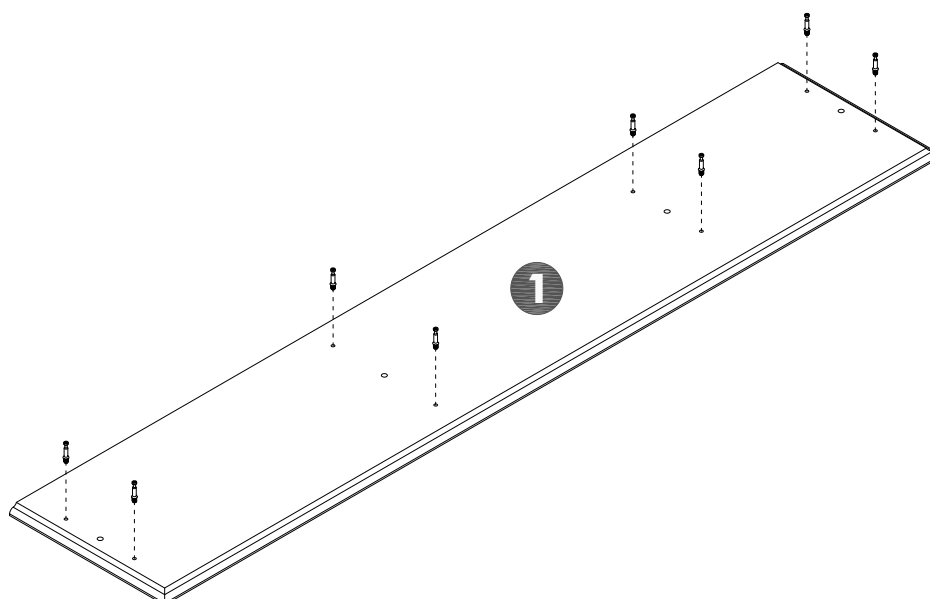
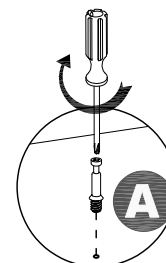
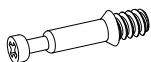
B x 4pcs



With assistant carefully flip unit over.

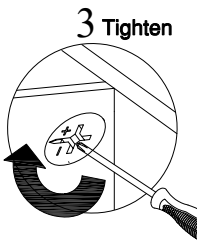
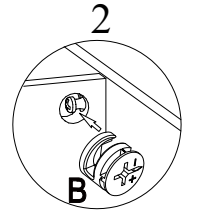
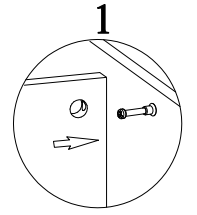
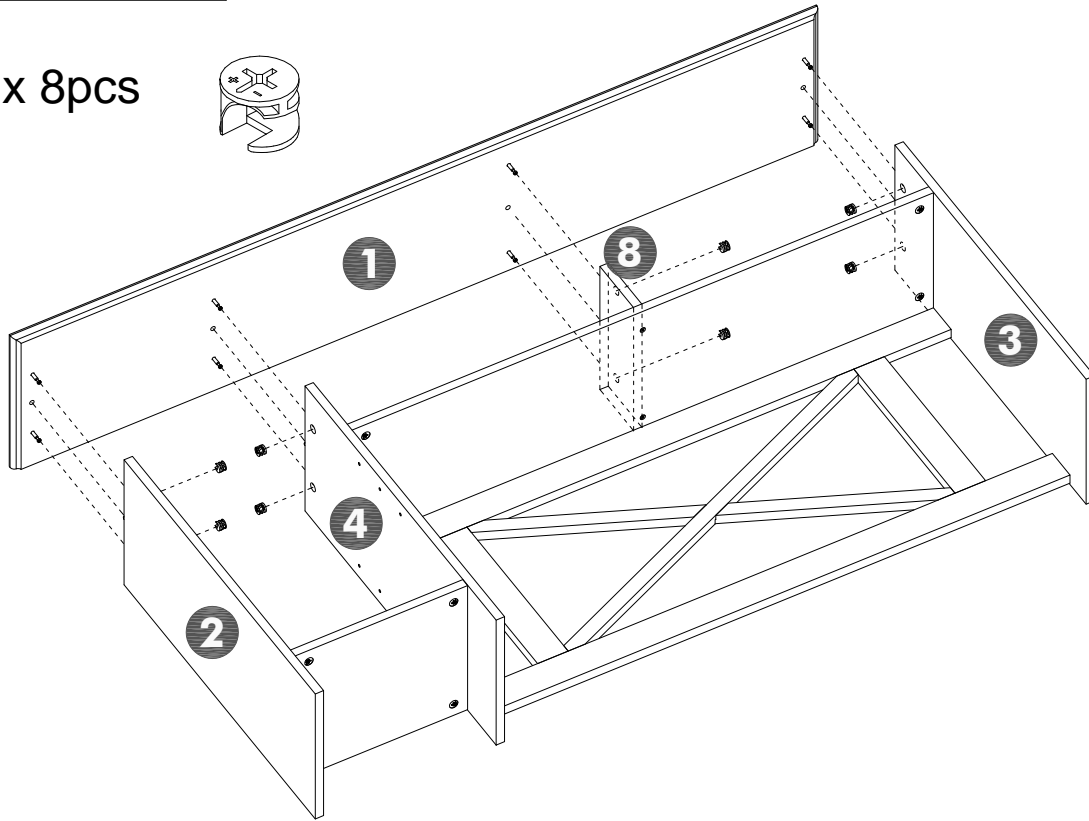
STEP 7

A x 8pcs



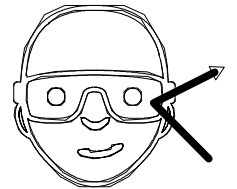
STEP 8

B x 8pcs

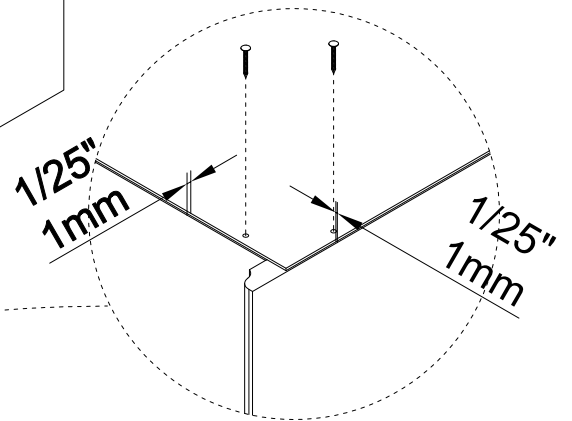
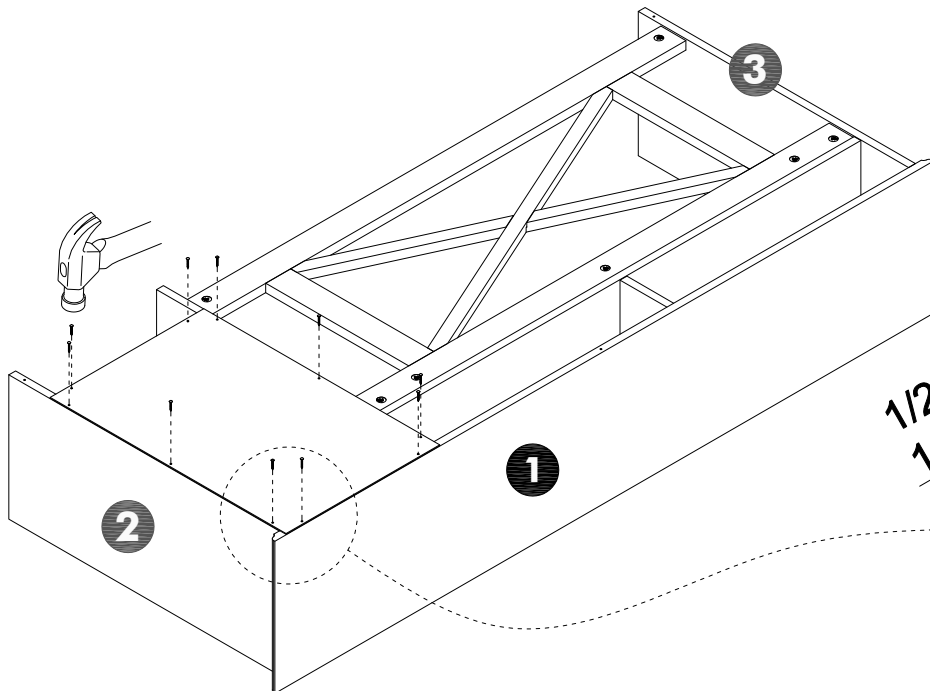


STEP 9

H x 10pcs



Safety glasses

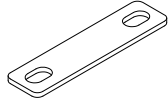


With assistant carefully flip unit over.

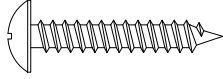
STEP 10

An assistant is required.

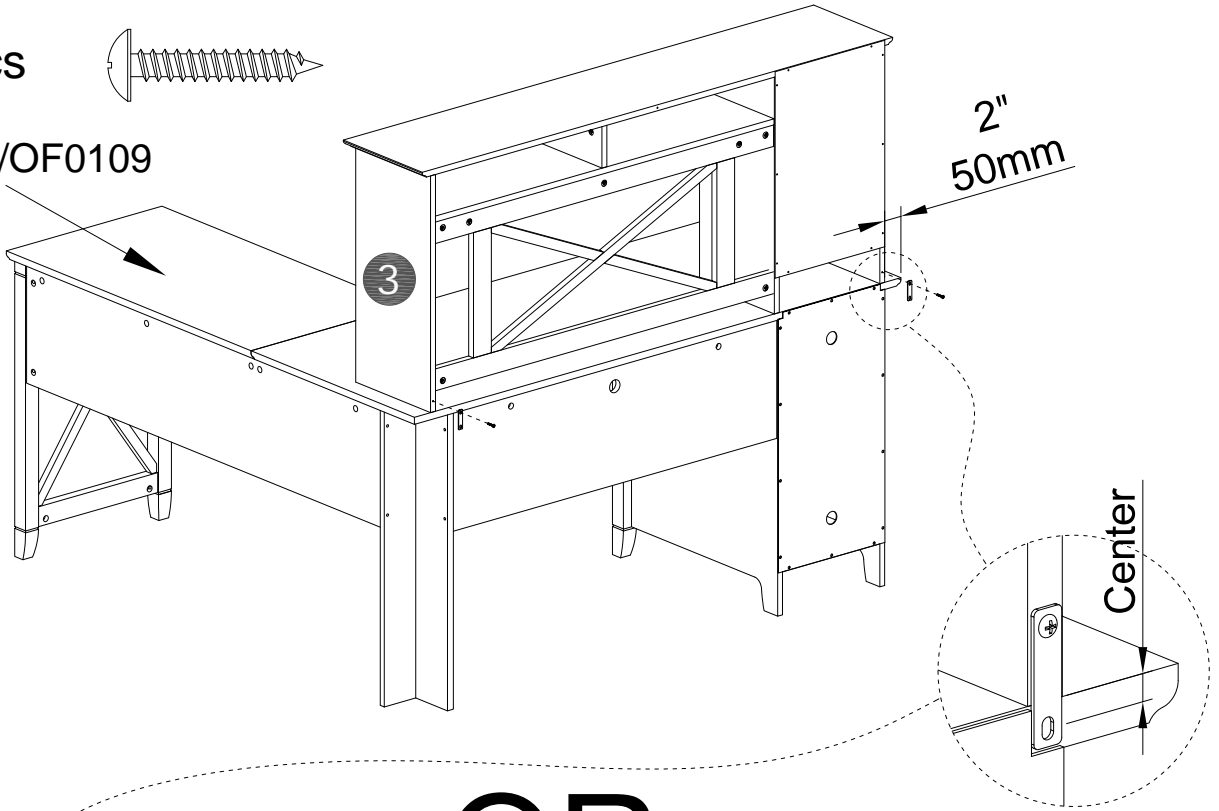
E x 2pcs



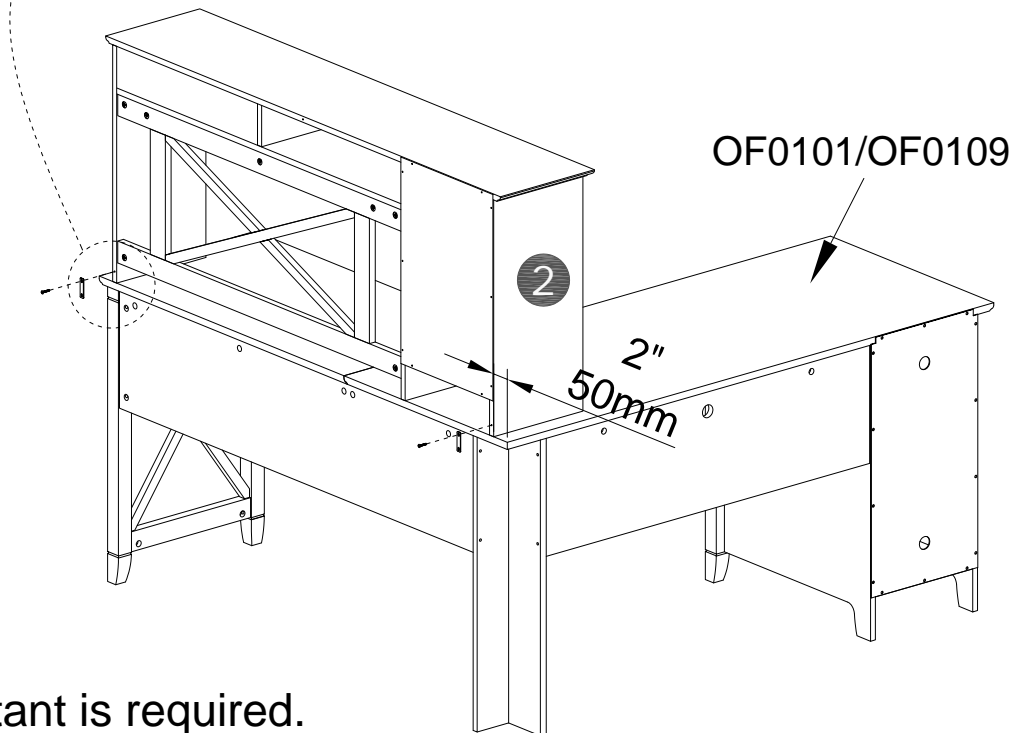
G x 2pcs



OF0101/OF0109



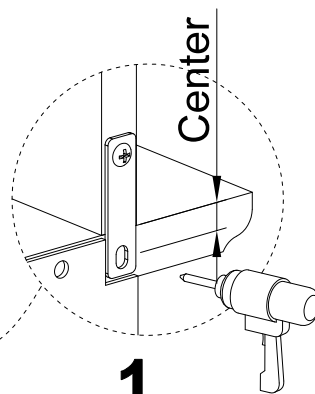
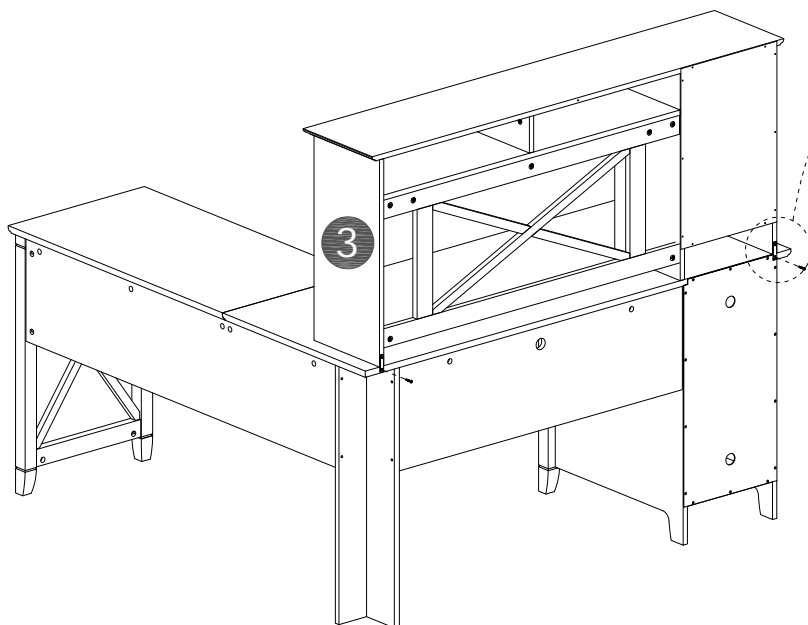
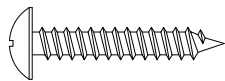
OR



An assistant is required.

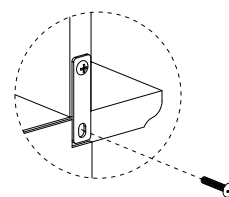
STEP 11

G x 2pcs



1

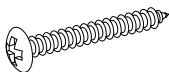
Use electric drill to lead 1/8 hole and drill 5/8 deep



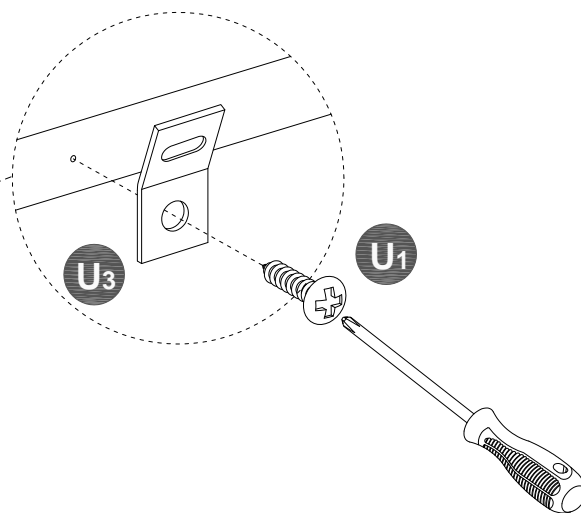
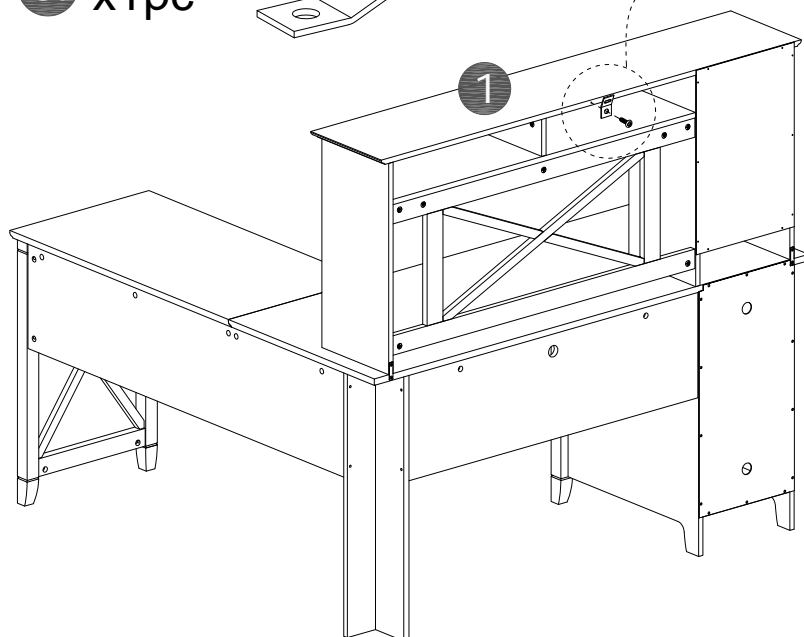
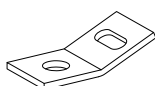
2

STEP 12

U₁ x1pc



U₃ x1pc

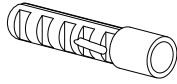


U₃

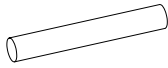
U₁

STEP 13

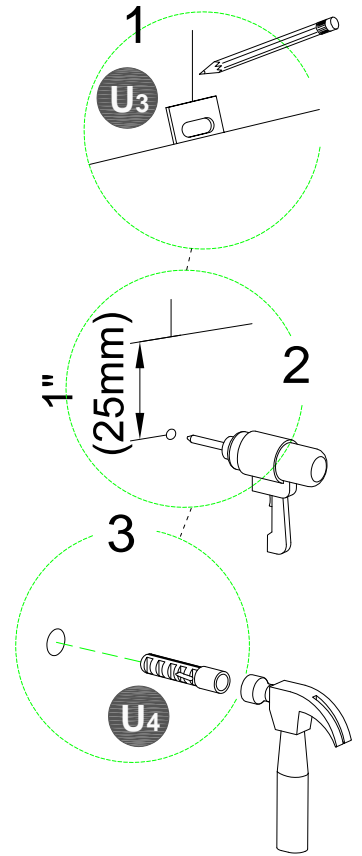
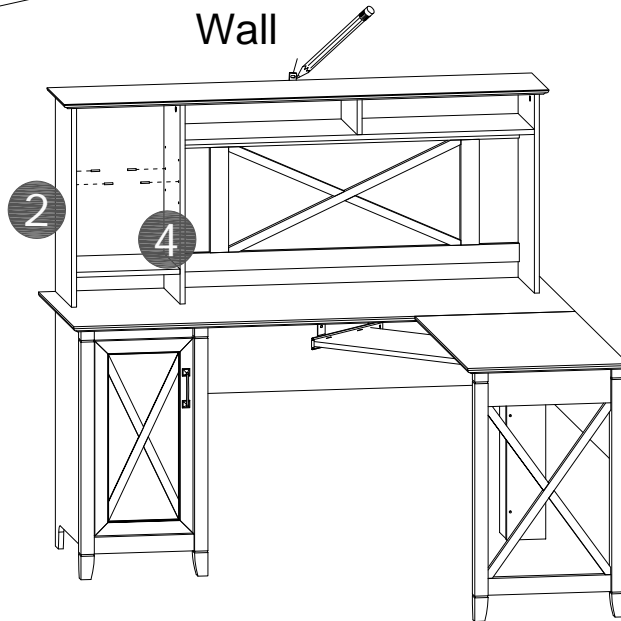
U₄ x 1pc



D x 4pcs

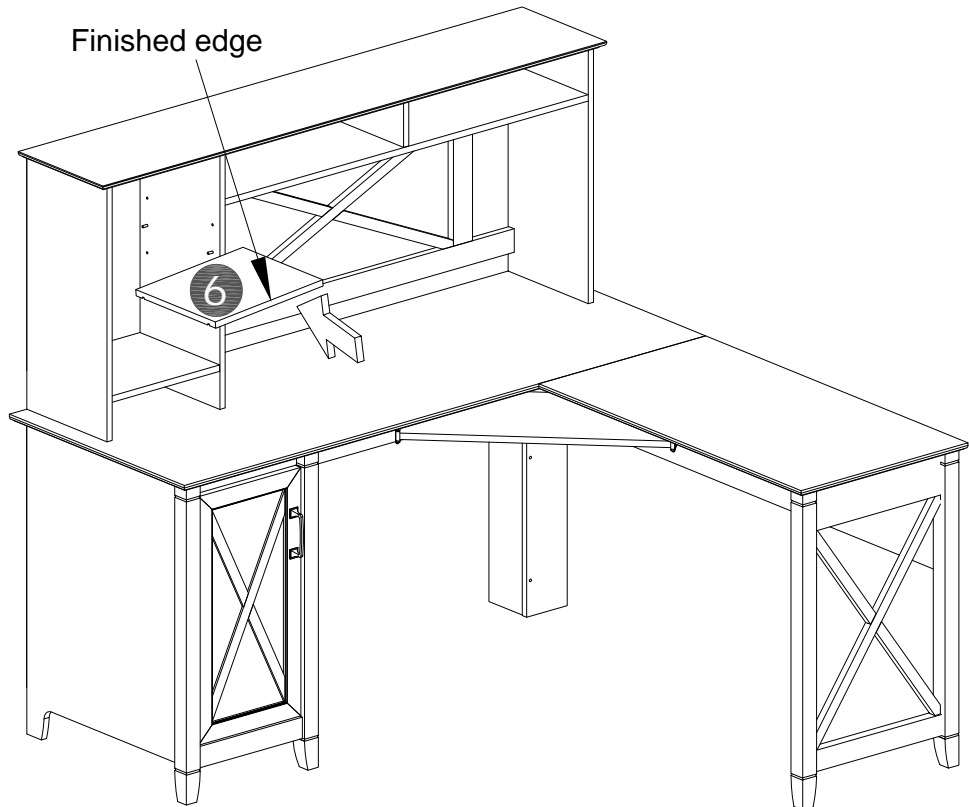


1. Place unit in desired location.
2. Mark stud location on the wall, 1" below top and side of unit.
3. Drill 5/16" hole 2" deep at marks on the wall.



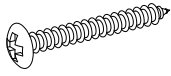
STEP 14

Finished edge



STEP 15

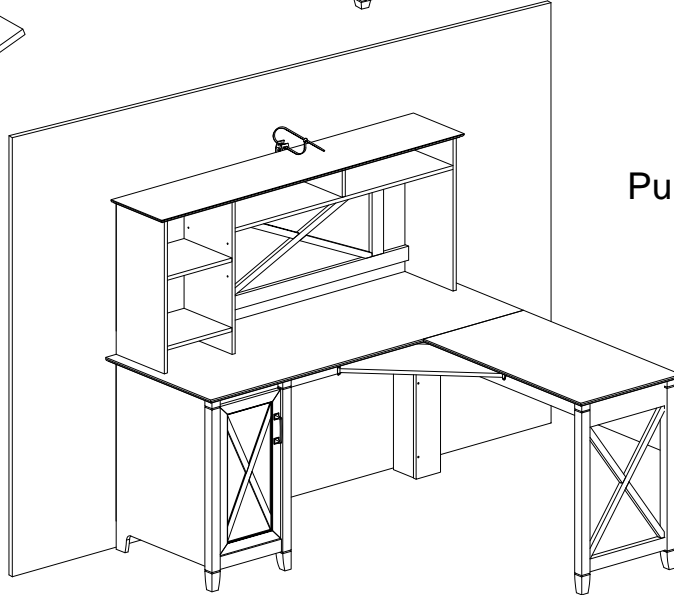
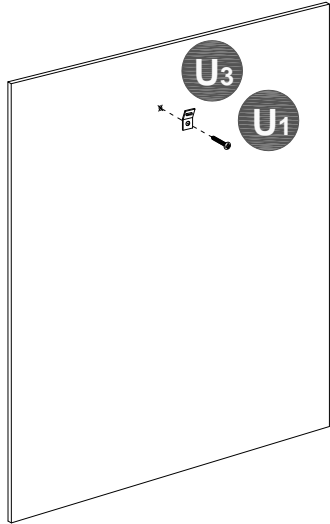
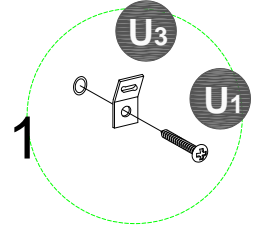
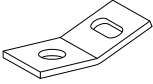
U₁ x1pc



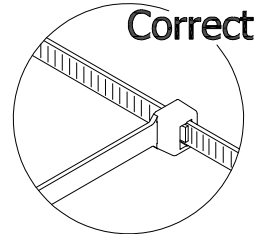
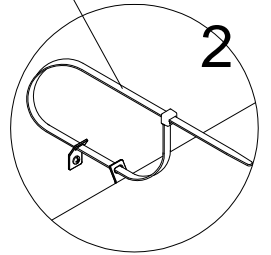
U₅ x1pc



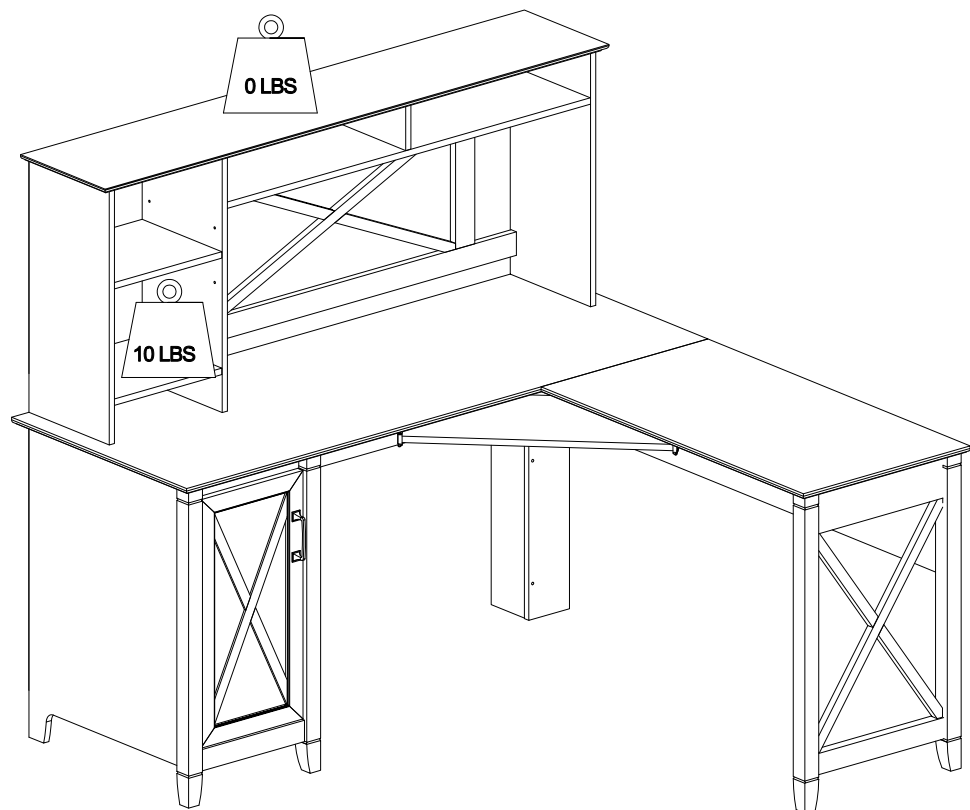
U₃ x1pc



Pull to verify lock



Maximum weight capacities



What is Proposition 65?

Proposition 65 is a California law that requires warning labels on products that may contain one of more than 800-plus chemicals or ingredients that the California Office of Environmental Health Hazard Assessment (OEHHA) has deemed to cause cancer or other reproductive toxicity. Chemicals and elements on this list include wood dust, brass, and other everyday substances, which can be found in very common household items, such as: lamps, tableware, jewelry, crystal glasses, electric cords, beauty products, automobiles, and furniture.

Why Did I Find a Proposition 65 Warning on My Home Goods Product?

We include Proposition 65 warnings on all of our products because there is always a chance that one of the 800-plus common chemicals and ingredients listed under this law could potentially be on our furniture or packing materials. We risk large fines under this law, if we don't include this warning.

Should I worry?

We realize you may be worried finding this warning on our products, but we want to reassure you that the hazardous exposure limits for any of these chemicals have never been found on furniture products that we've shipped to our customers. Additionally, this warning label is very common and can be found on almost every piece of furniture sold in the state of California.

Just How Common Are Proposition 65 Warnings?

Proposition 65 warnings have become so common in California that it is hard to take a trip to local bank, grocery store, or restaurant without finding at least one warning. In fact, even the Disney Land Resort has a Proposition 65 warning:

